

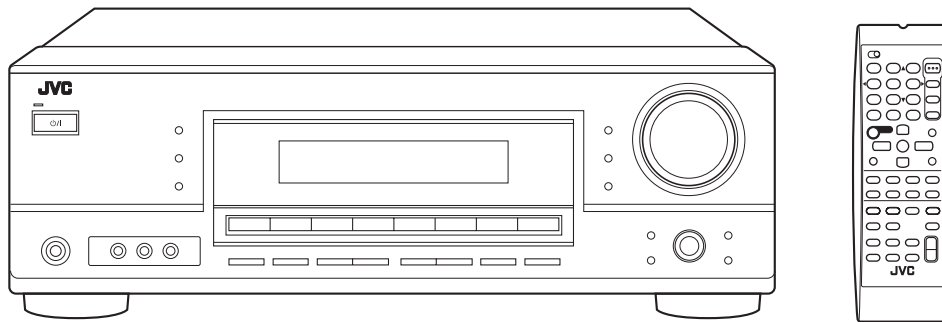
# JVC

## SCHEMATIC DIAGRAMS

AUDIO/VIDEO CONTROL RECEIVER

### RX-5060BJ, RX-5060BC, RX-5060BE RX-5062SB, RX-5062SE, RX-5062SEN RX-5062SEV

CD-ROM No.SML200602



*Radio Data System*

Lead free solder used in the board (material : Sn-Ag-Cu, melting point : 219 Centigrade)

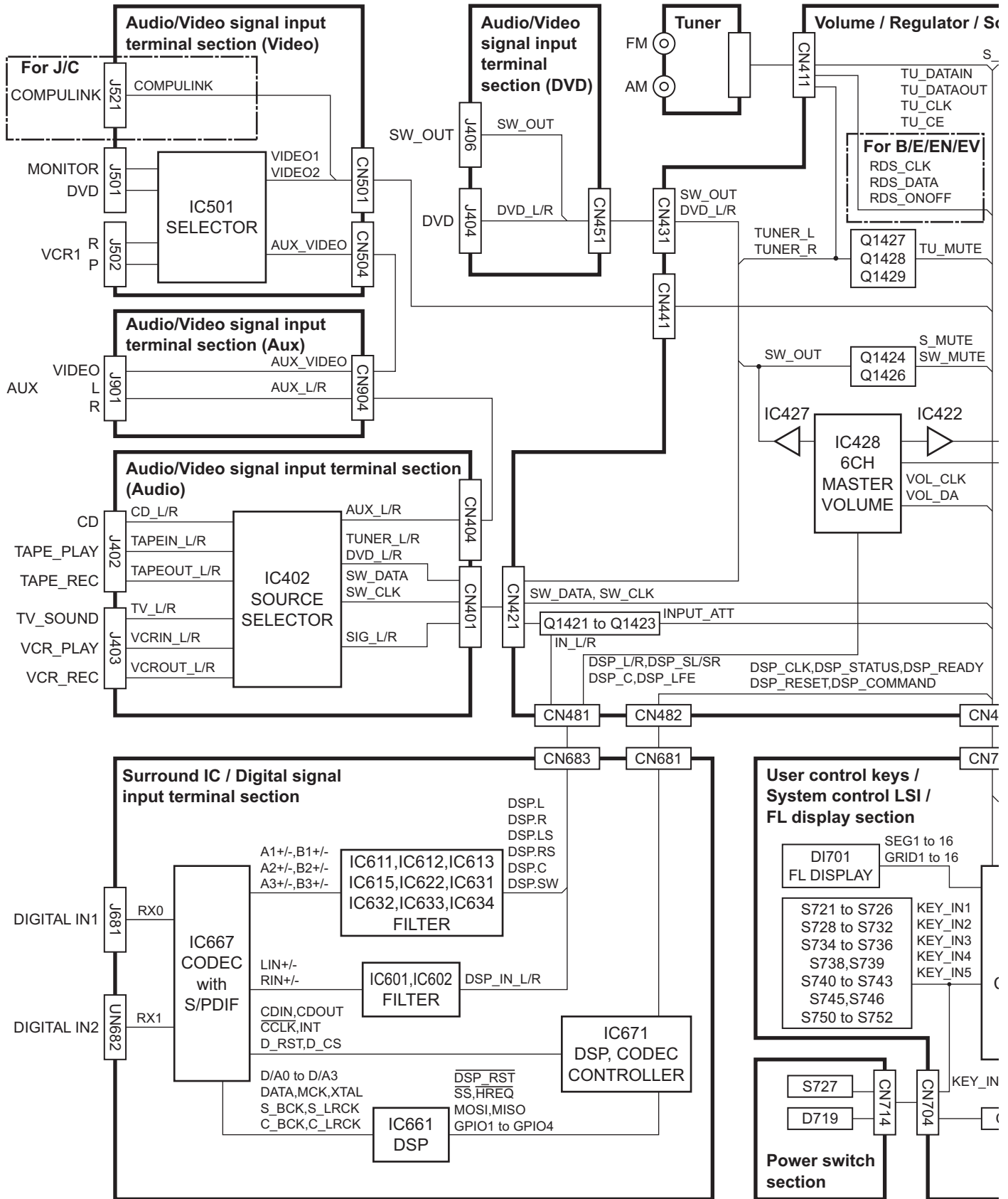
#### Contents

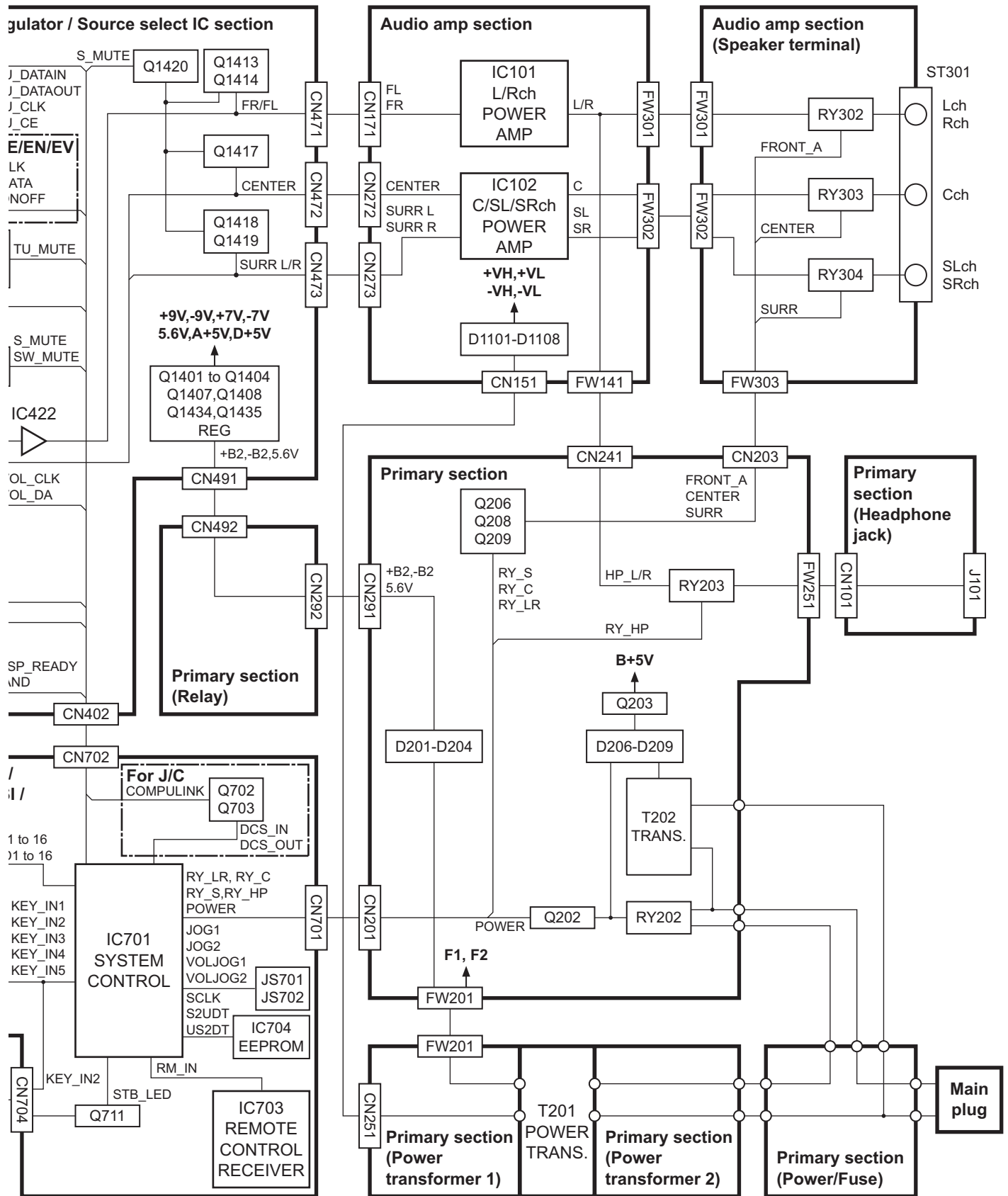
|                                   |            |
|-----------------------------------|------------|
| Block diagrams .....              | 2-1        |
| Standard schematic diagrams ..... | 2-3        |
| Printed circuit boards .....      | 2-15 to 21 |

In regard with component parts appearing on the silk-screen printed side (parts side) of the PWB diagrams, the parts that are printed over with black such as the resistor (■), diode (▣) and ICP (●) or identified by the "▲" mark nearby are critical for safety.

< MEMO >

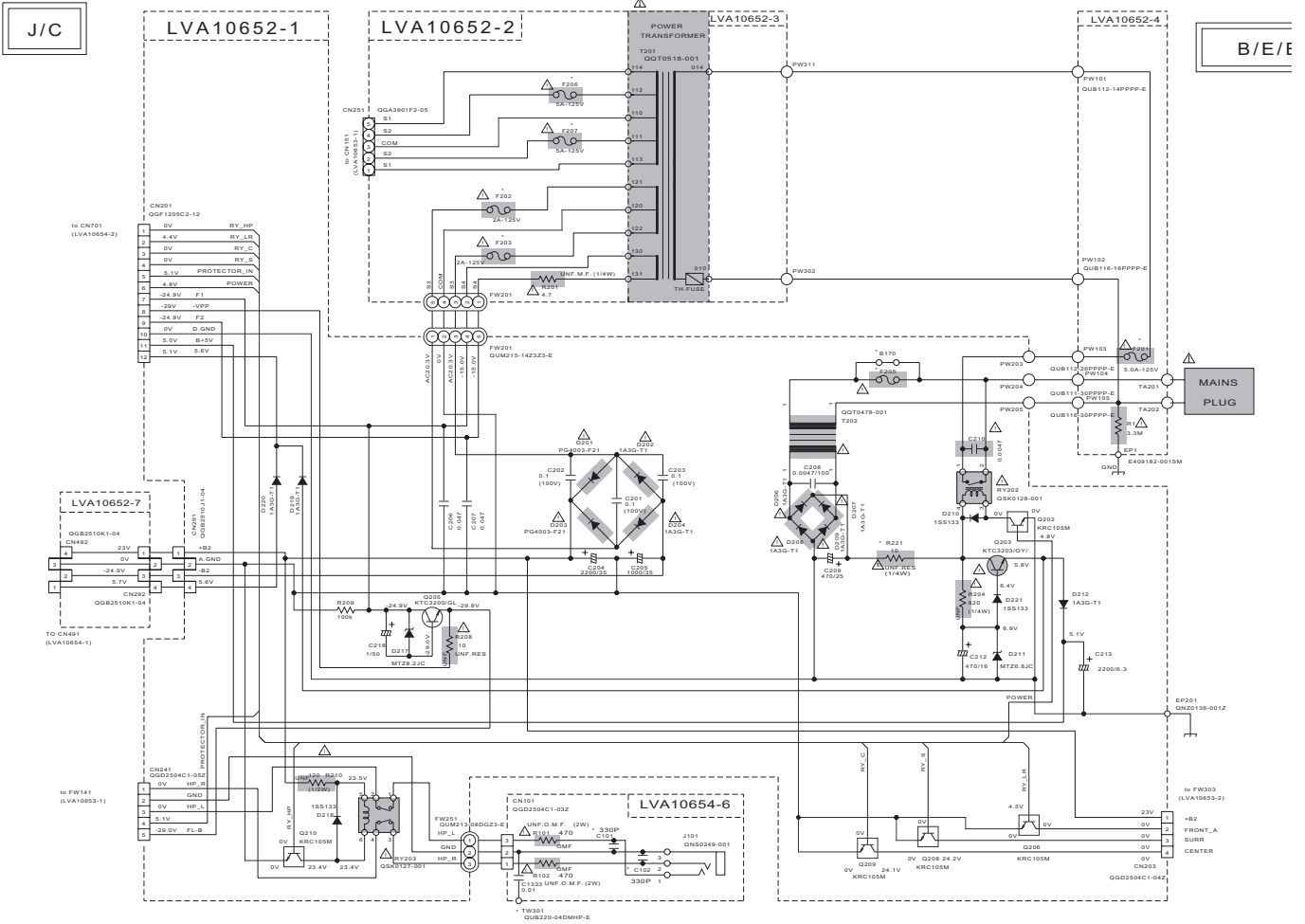
# Block diagram





# Standard schematic diagrams

## Primary section

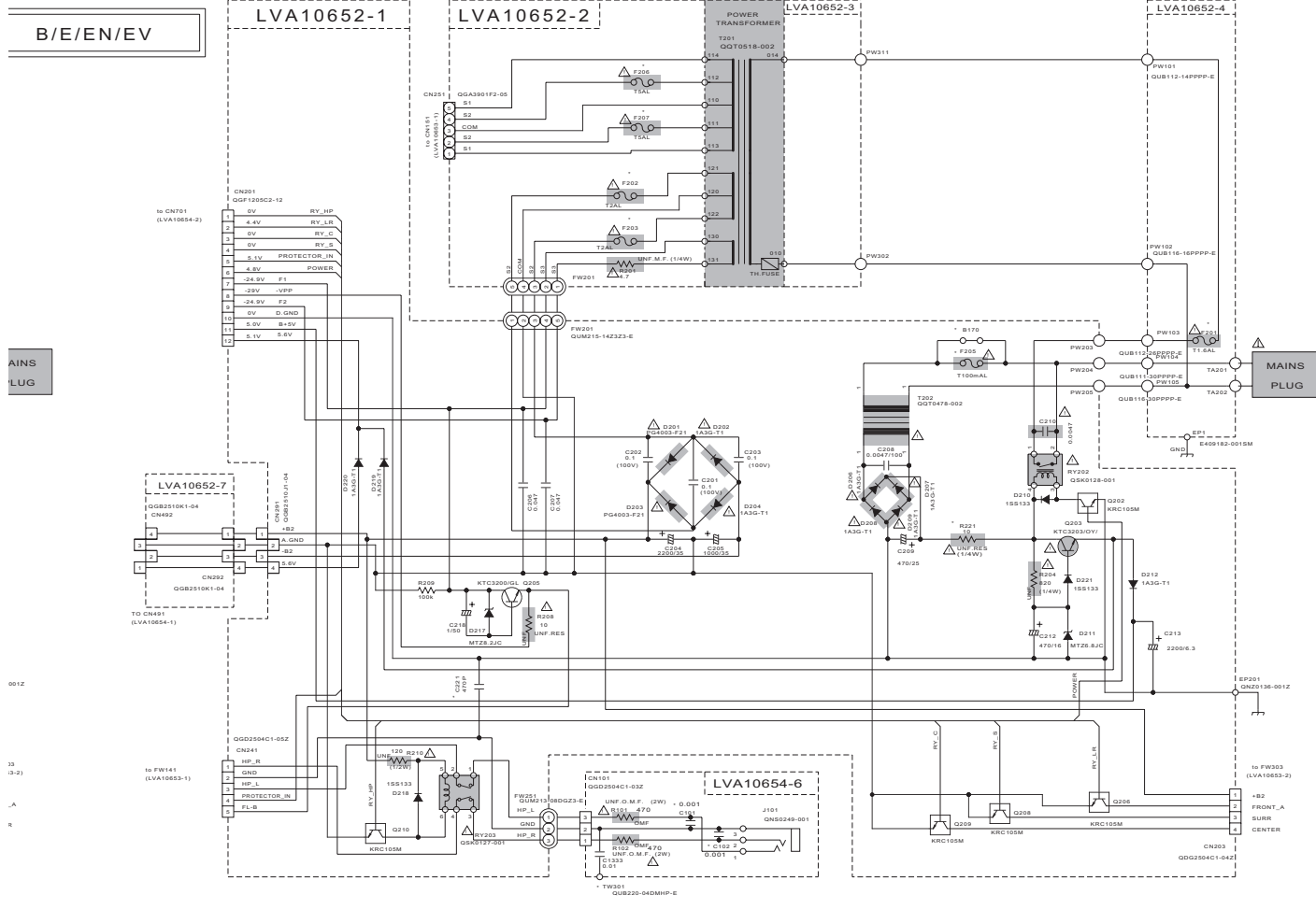


|           | J/C                      | B/E/EN/EP                   | US/UT/KN                     |
|-----------|--------------------------|-----------------------------|------------------------------|
| F201      | OMF51U1-2R0-J8 (5A-125V) | OMF51W2-1R0-J8 (1.6A-250V)  | OMF51W2-3R15-J8 (3.15A-250V) |
| F202-F205 | OMF51U1-2R0-J8 (2A-125V) | OMF51W2-2R0-J8 (2A-250V)    | OMF51W2-2R0-J8 (2A-250V)     |
| F204      | NONE                     | NONE                        | OMF51W2-2R0-J8 (2.5A-250V)   |
| F205      | NONE                     | OMF51E2-R10-J1 (100mA-250V) | OMF51E2-R10-J1 (100mA-250V)  |
| B170      | USE                      | NONE                        | NONE                         |
| F206-F207 | OMF51U1-3R0-J8 (5A-125V) | OMF51W2-3R0-J8 (5A-250V)    | OMF51W2-3R0-J8 (5A-250V)     |
| V3201     | NONE                     | NONE                        | USE                          |

|           | J/C         | B/E/EN/EP   | US/UT/KN    | UP          |
|-----------|-------------|-------------|-------------|-------------|
| R1,EP1    | USE         | NONE        | NONE        | NONE        |
| R211,R212 | NONE        | NONE        | NONE        | USE         |
| D202,D203 | NONE        | NONE        | NONE        | USE         |
| Q211      | NONE        | NONE        | NONE        | USE         |
| R221      | USE         | USE         | NONE        | NONE        |
| R203      | NONE        | NONE        | USE         | USE         |
| T202      | QGT0478-001 | QGT0478-002 | QGT0281-006 | QGT0281-006 |
| C209      | 470/25      | 470/25      | 470B3       | 470B3       |
| R201      | 4.7         | 4.7         | 4.7         | 4.7         |
| C101      | 330P        | 0.001       | 330P        | 330P        |
| C102      | 330P        | 0.001       | 330P        | 330P        |
| C221      | NONE        | USE         | NONE        | USE         |
| C1333     | USE         | USE         | NONE        | USE         |
| TW301     | USE         | USE         | NONE        | USE         |

### VERSION CODES

- J ; U.S.A.
- C ; CANADA
- B ; U.K.
- E ; CONTINENTAL EUROPE
- EN ; NORDIC COUNTRIES
- EV ; EASTERNEUROPE
- US ; SINGAPORE
- UT ; TAIWAN
- UP ; KOREA
- UN ; INDONESIA



B/E/EN/EV

AINS  
LUG

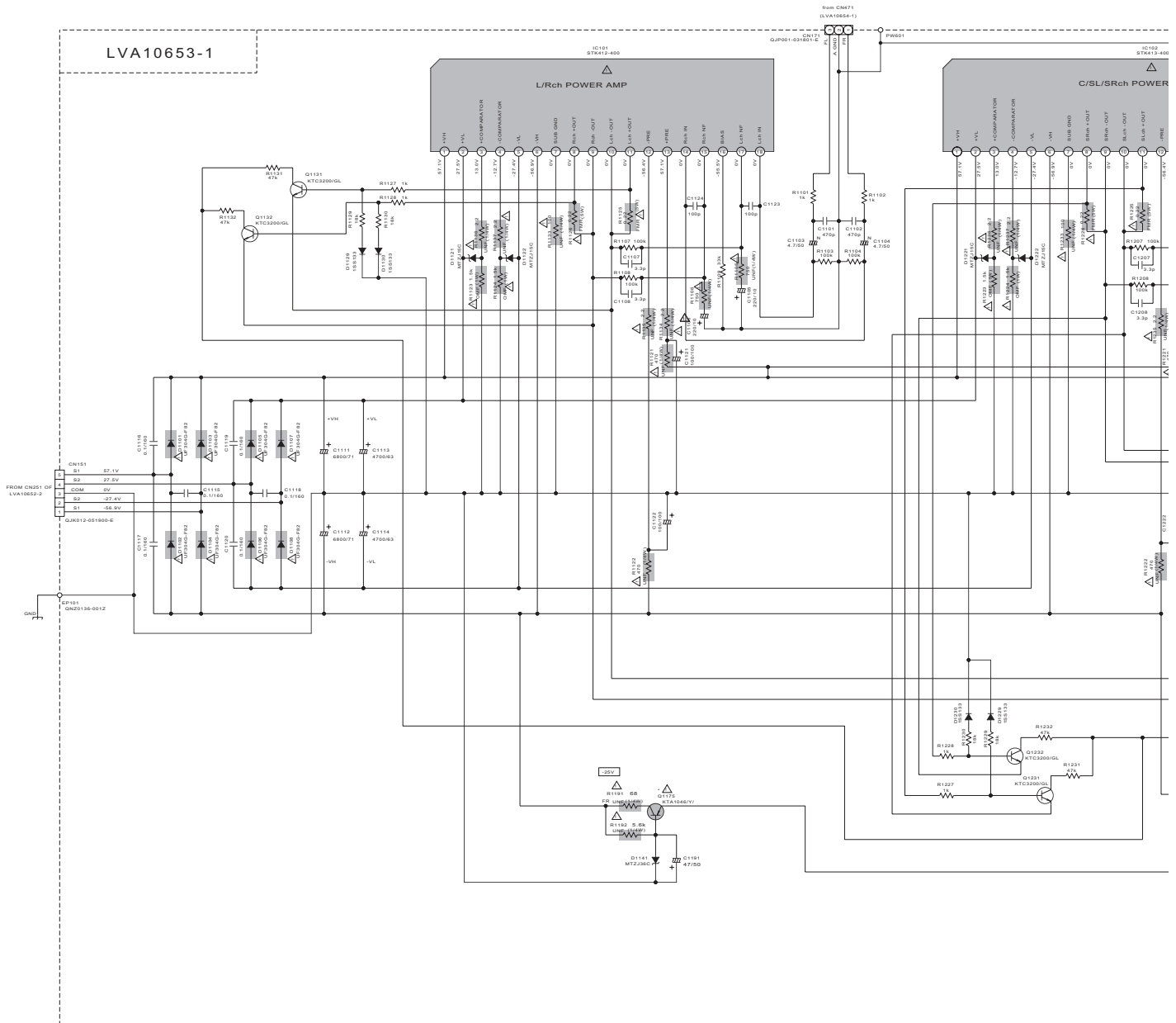
0012

33  
(3-2)  
A  
B

ES  
  
- EUROPE  
NTRIES  
: OPE

▲ Parts are safety assurance parts.  
When replacing those parts make  
sure to use the specified one.

# Audio amp section



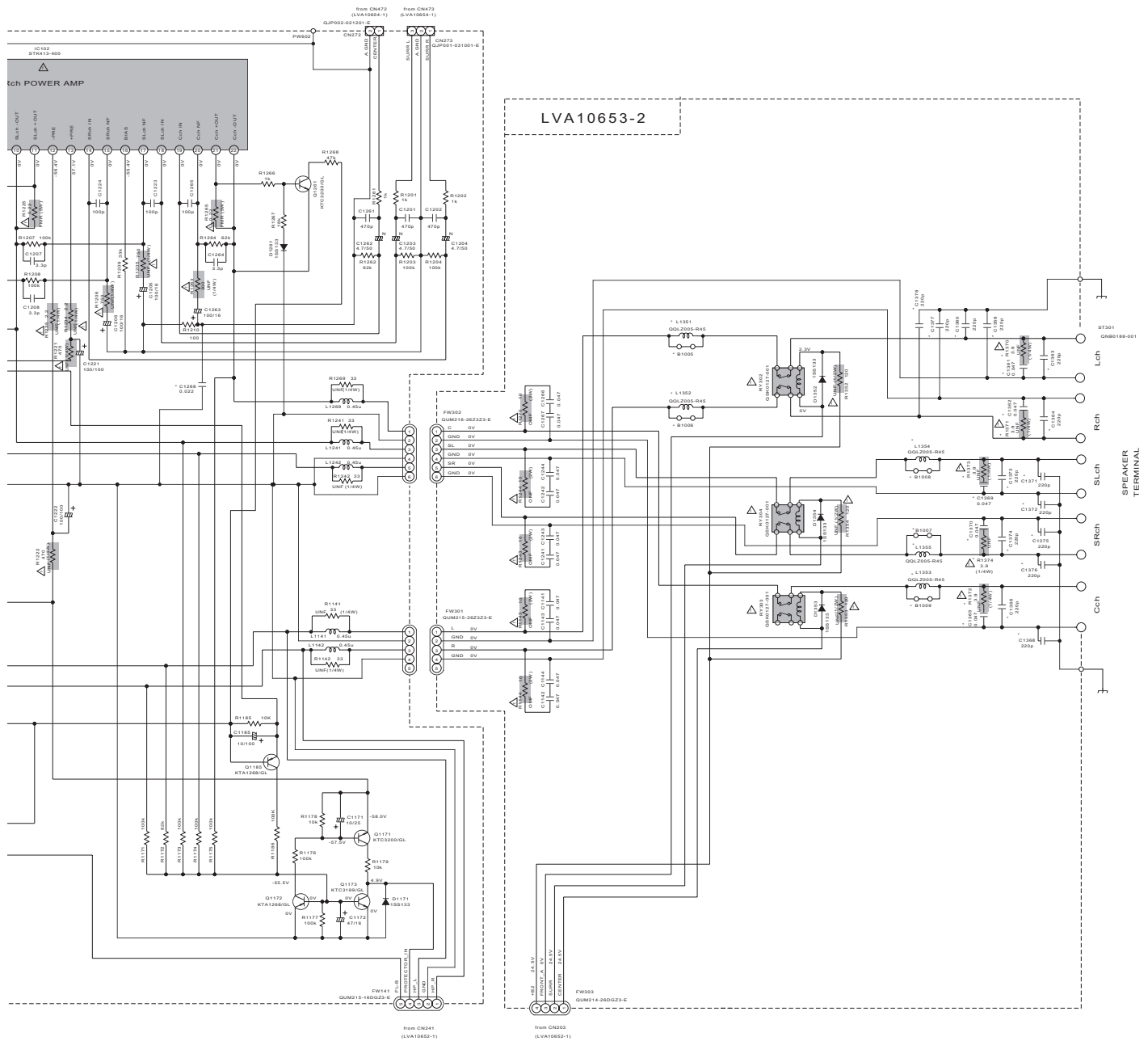
**\* MARK LIST**

|              | J/C  | B/E/EN/EV | UT/US/UP/UN |
|--------------|------|-----------|-------------|
| B1005        | USE  | NONE      | NONE        |
| B1006        | USE  | NONE      | NONE        |
| B1007        | USE  | NONE      | NONE        |
| B1008        | USE  | NONE      | NONE        |
| B1009        | USE  | NONE      | NONE        |
| L1351        | NONE | USE       | USE         |
| L1352        | NONE | USE       | USE         |
| L1353        | NONE | USE       | USE         |
| L1354        | NONE | USE       | USE         |
| L1355        | NONE | USE       | USE         |
| R1370, R1371 | NONE | USE       | USE         |
| C1361, C1362 | NONE | USE       | USE         |
| C1363, C1364 | NONE | USE       | USE         |
| C1369, C1377 | NONE | USE       | USE         |
| C1360, C1378 | NONE | USE       | USE         |
| R1373, R1374 | NONE | USE       | USE         |
| C1369, C1370 | NONE | USE       | USE         |
| C1373, C1374 | NONE | USE       | USE         |
| C1372, C1375 | NONE | USE       | USE         |
| C1371, C1376 | NONE | USE       | USE         |
| R1372        | NONE | USE       | USE         |
| C1365        | NONE | USE       | USE         |
| C1366        | NONE | USE       | USE         |
| C1367        | NONE | NONE      | NONE        |
| C1368        | NONE | USE       | USE         |

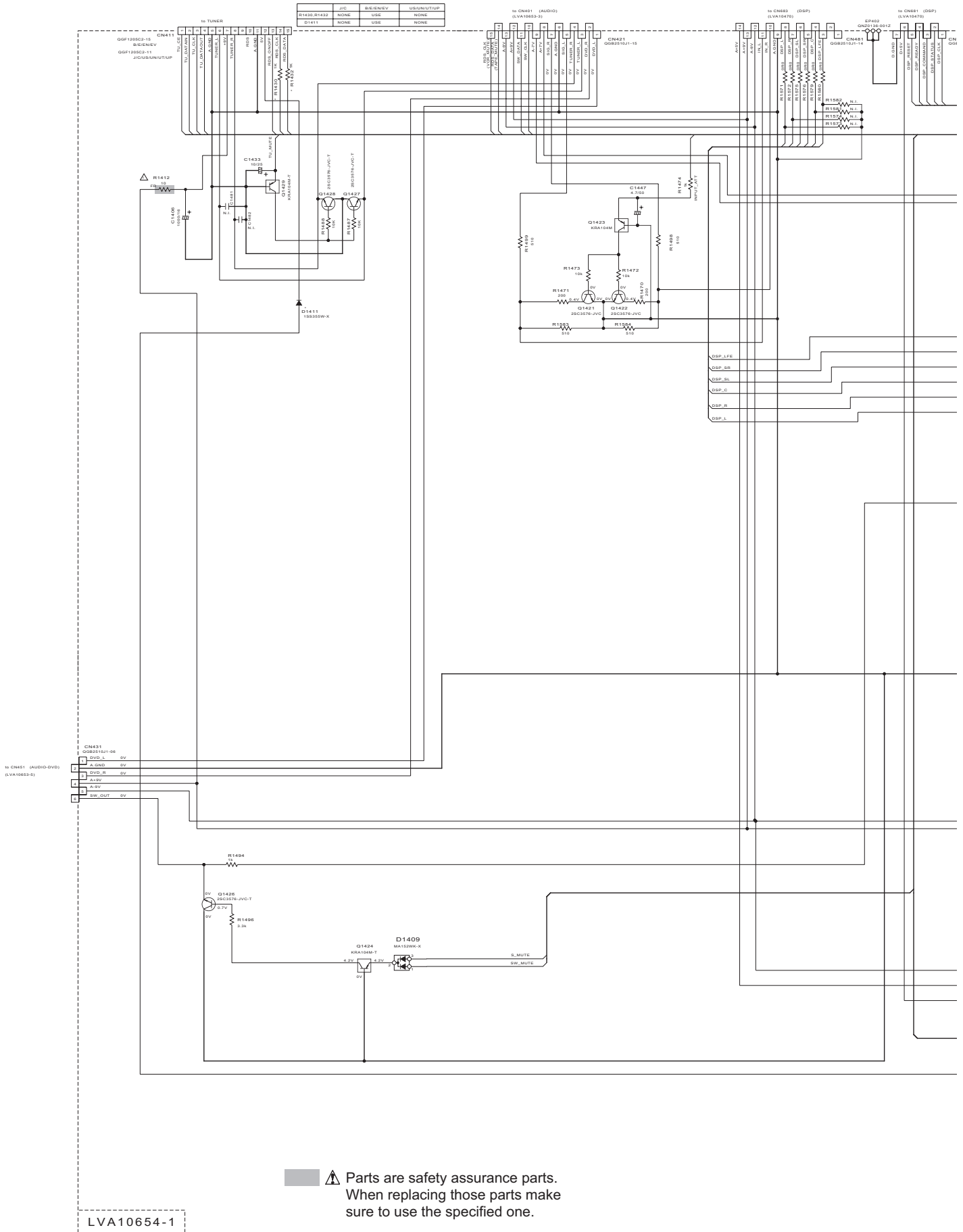
|       | J/C  | R/E/EN/EV | UP  | US/UN/UT |
|-------|------|-----------|-----|----------|
| C1268 | NONE | USE       | USE | NONE     |

**⚠** Parts are safety assurance parts.  
When replacing those parts make sure to use the specified one.



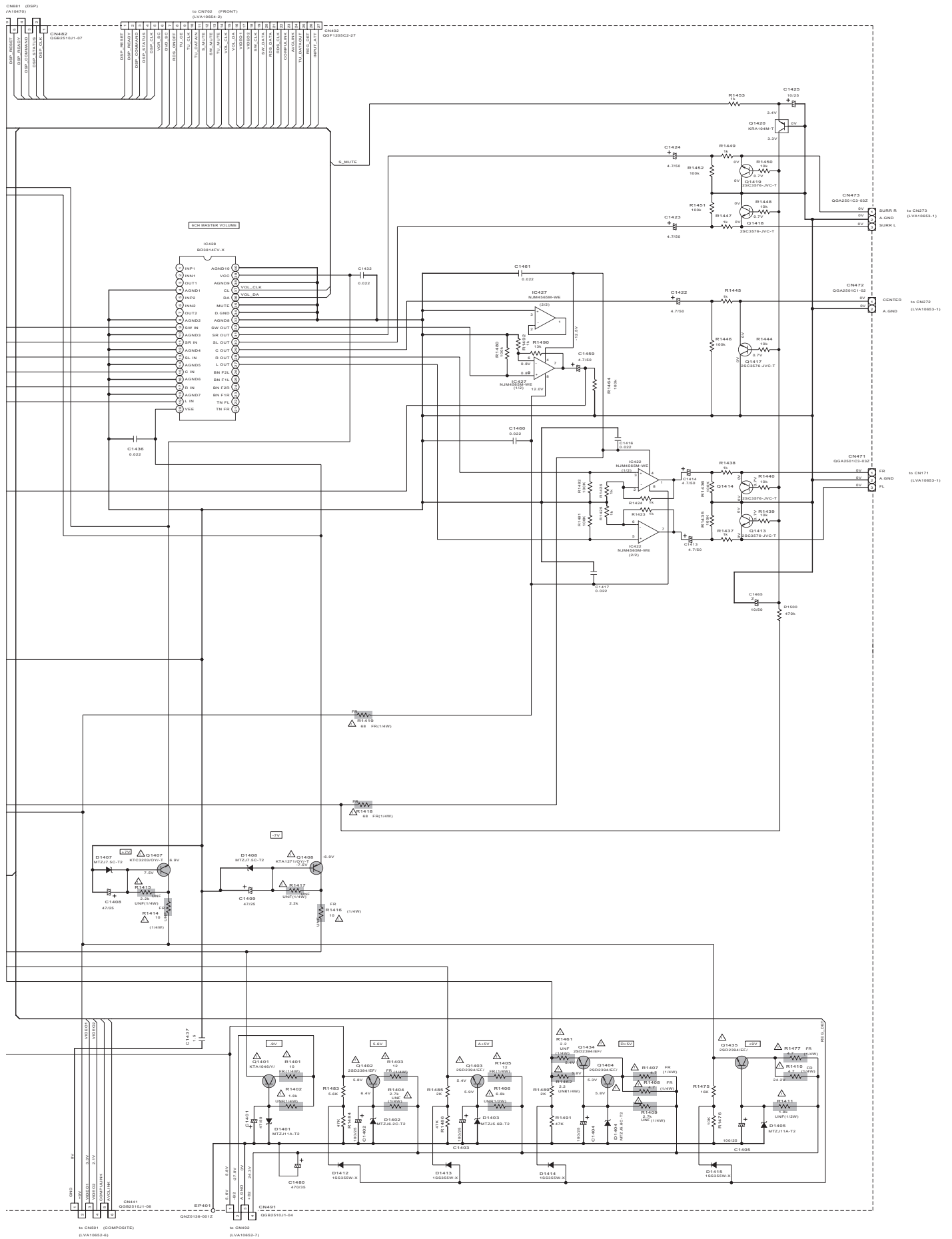


# Volume / Regulator / Source selector section

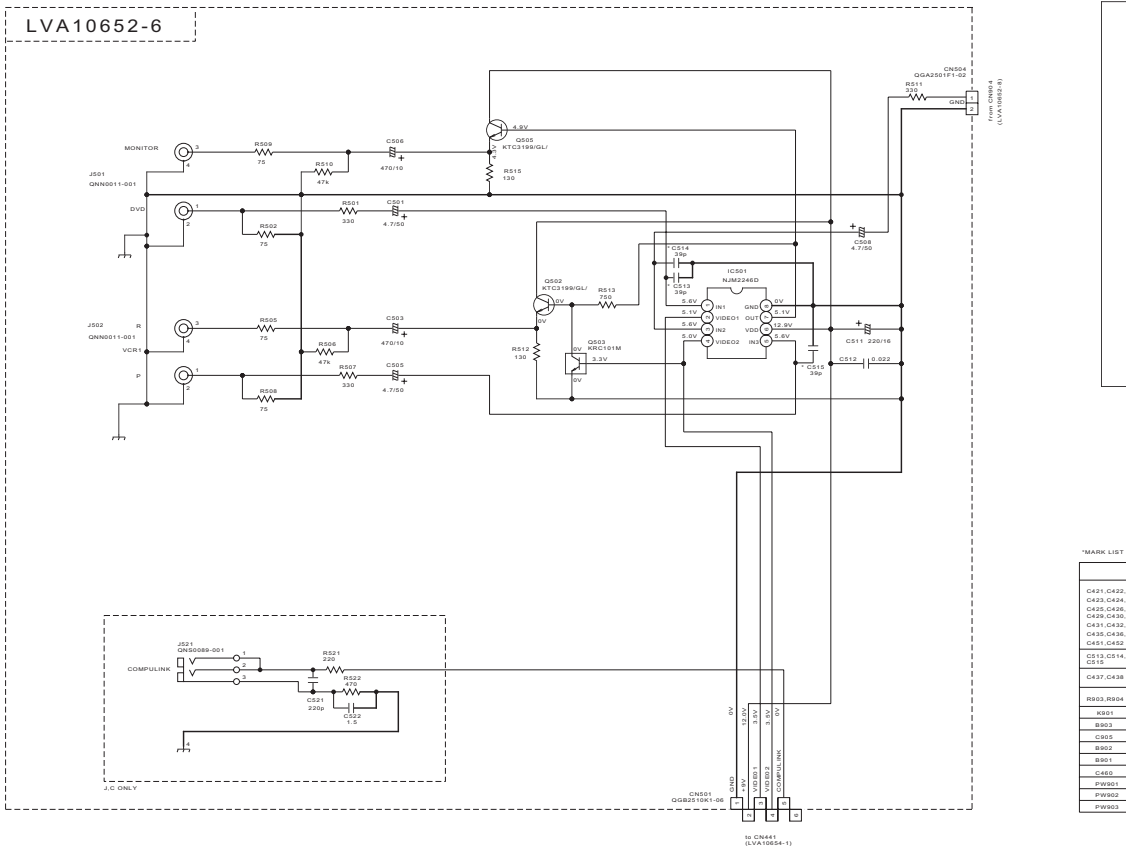
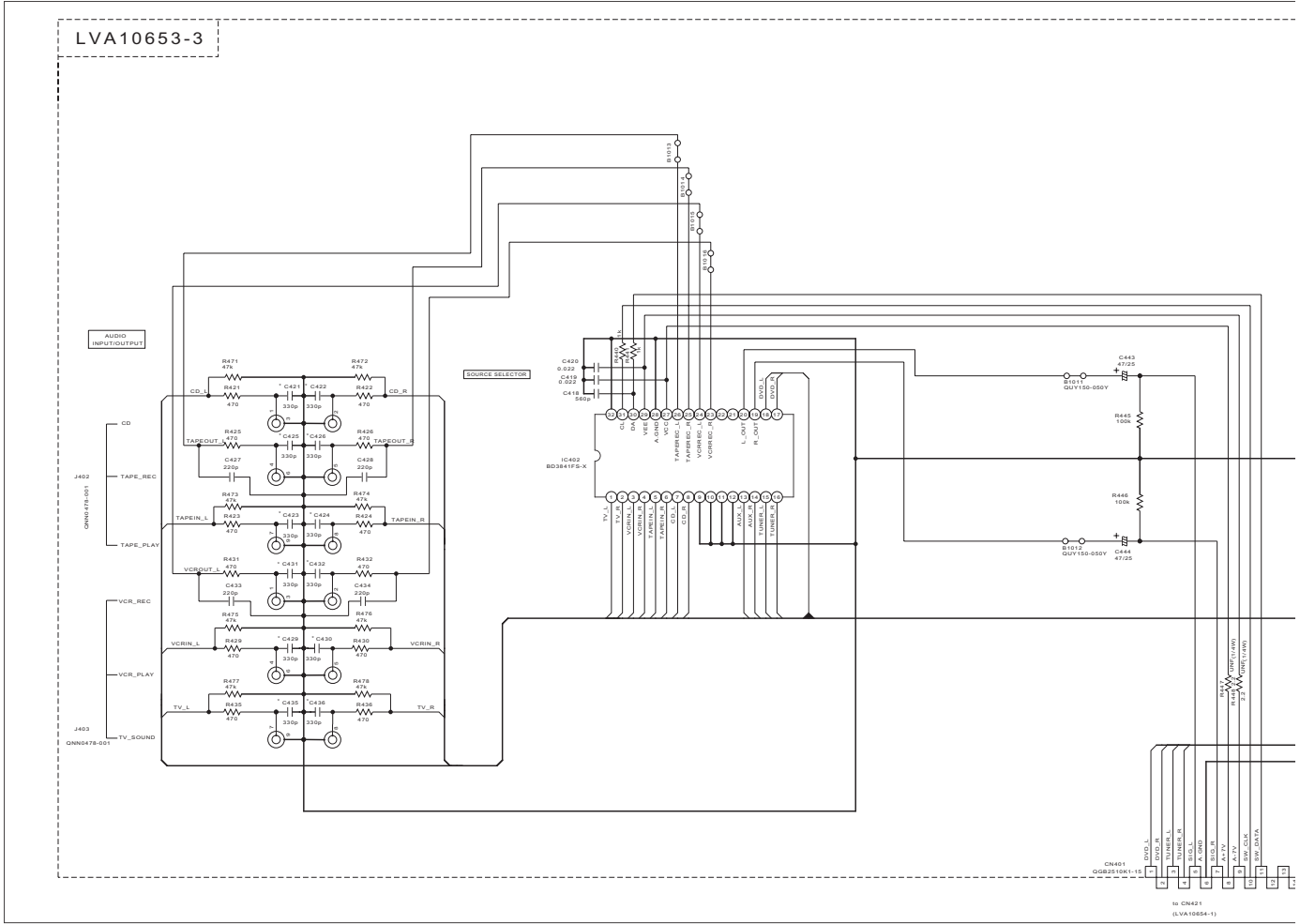


**⚠** Parts are safety assurance parts.  
When replacing those parts make sure to use the specified one.

LVA10654-1

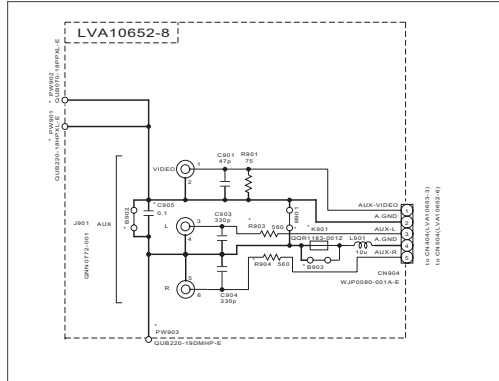
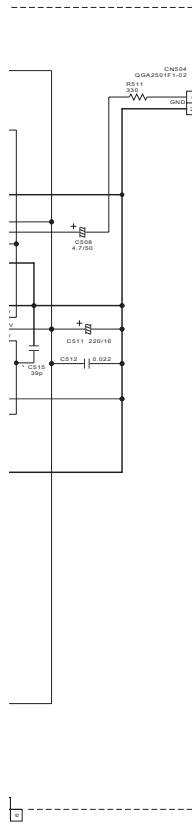
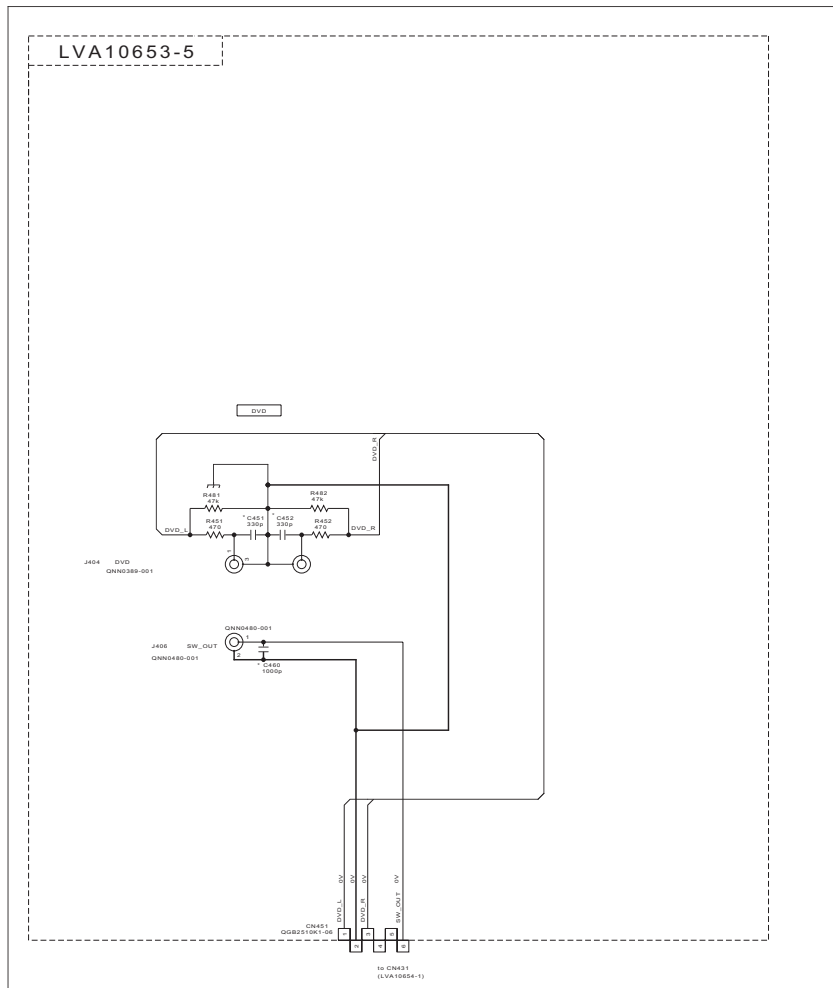
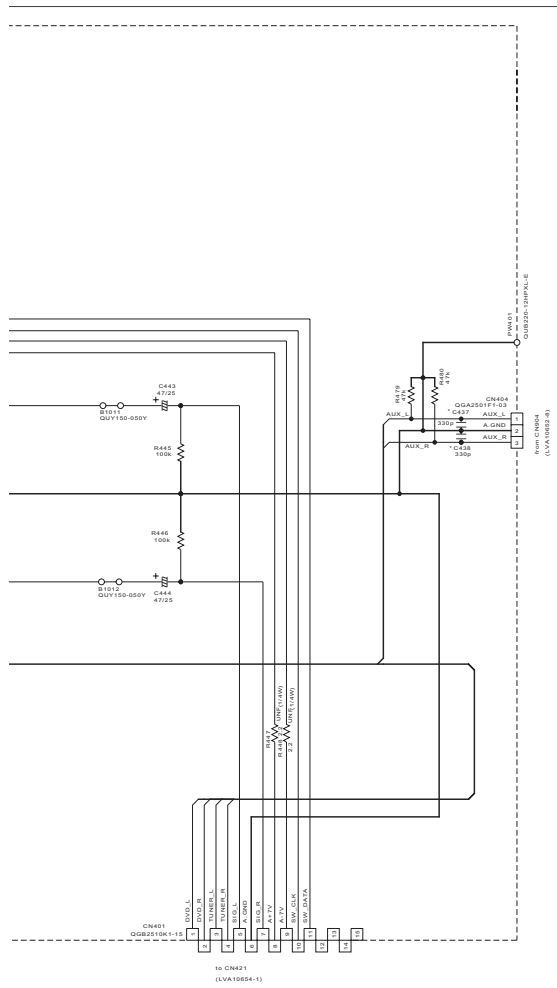


# Audio, Video signal control / Source selector section



MARK LIST

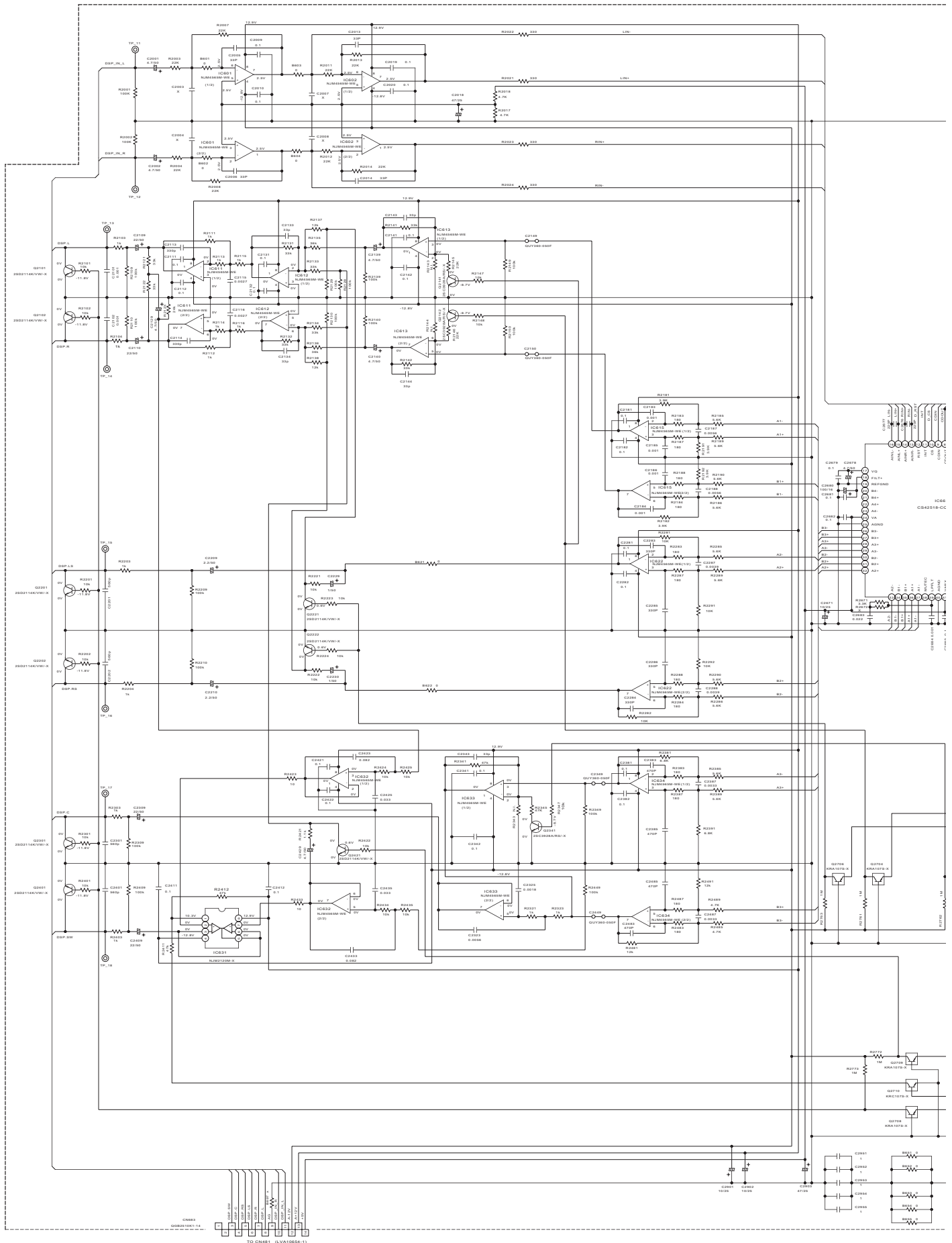
|              |
|--------------|
| C421, C422,  |
| C423, C424,  |
| C425, C426,  |
| C427, C428,  |
| C429, C430,  |
| C431, C432,  |
| C433, C434,  |
| C435, C436,  |
| C437, C438,  |
| C439, C440,  |
| C441, C442,  |
| C443, C444,  |
| C445, C446,  |
| C447, C448,  |
| C449, C450,  |
| C451, C452,  |
| C453, C454,  |
| C455, C456,  |
| C457, C458,  |
| C459, C460,  |
| C461, C462,  |
| C463, C464,  |
| C465, C466,  |
| C467, C468,  |
| C469, C470,  |
| C471, C472,  |
| C473, C474,  |
| C475, C476,  |
| C477, C478,  |
| C479, C480,  |
| C481, C482,  |
| C483, C484,  |
| C485, C486,  |
| C487, C488,  |
| C489, C490,  |
| C491, C492,  |
| C493, C494,  |
| C495, C496,  |
| C497, C498,  |
| C499, C500,  |
| C501, C502,  |
| C503, C504,  |
| C505, C506,  |
| C507, C508,  |
| C509, C510,  |
| C511, C512,  |
| C513, C514,  |
| C515, C516,  |
| C517, C518,  |
| C519, C520,  |
| C521, C522,  |
| C523, C524,  |
| C525, C526,  |
| C527, C528,  |
| C529, C530,  |
| C531, C532,  |
| C533, C534,  |
| C535, C536,  |
| C537, C538,  |
| C539, C540,  |
| C541, C542,  |
| C543, C544,  |
| C545, C546,  |
| C547, C548,  |
| C549, C550,  |
| C551, C552,  |
| C553, C554,  |
| C555, C556,  |
| C557, C558,  |
| C559, C560,  |
| C561, C562,  |
| C563, C564,  |
| C565, C566,  |
| C567, C568,  |
| C569, C570,  |
| C571, C572,  |
| C573, C574,  |
| C575, C576,  |
| C577, C578,  |
| C579, C580,  |
| C581, C582,  |
| C583, C584,  |
| C585, C586,  |
| C587, C588,  |
| C589, C590,  |
| C591, C592,  |
| C593, C594,  |
| C595, C596,  |
| C597, C598,  |
| C599, C600,  |
| C601, C602,  |
| C603, C604,  |
| C605, C606,  |
| C607, C608,  |
| C609, C610,  |
| C611, C612,  |
| C613, C614,  |
| C615, C616,  |
| C617, C618,  |
| C619, C620,  |
| C621, C622,  |
| C623, C624,  |
| C625, C626,  |
| C627, C628,  |
| C629, C630,  |
| C631, C632,  |
| C633, C634,  |
| C635, C636,  |
| C637, C638,  |
| C639, C640,  |
| C641, C642,  |
| C643, C644,  |
| C645, C646,  |
| C647, C648,  |
| C649, C650,  |
| C651, C652,  |
| C653, C654,  |
| C655, C656,  |
| C657, C658,  |
| C659, C660,  |
| C661, C662,  |
| C663, C664,  |
| C665, C666,  |
| C667, C668,  |
| C669, C670,  |
| C671, C672,  |
| C673, C674,  |
| C675, C676,  |
| C677, C678,  |
| C679, C680,  |
| C681, C682,  |
| C683, C684,  |
| C685, C686,  |
| C687, C688,  |
| C689, C690,  |
| C691, C692,  |
| C693, C694,  |
| C695, C696,  |
| C697, C698,  |
| C699, C700,  |
| C701, C702,  |
| C703, C704,  |
| C705, C706,  |
| C707, C708,  |
| C709, C710,  |
| C711, C712,  |
| C713, C714,  |
| C715, C716,  |
| C717, C718,  |
| C719, C720,  |
| C721, C722,  |
| C723, C724,  |
| C725, C726,  |
| C727, C728,  |
| C729, C730,  |
| C731, C732,  |
| C733, C734,  |
| C735, C736,  |
| C737, C738,  |
| C739, C740,  |
| C741, C742,  |
| C743, C744,  |
| C745, C746,  |
| C747, C748,  |
| C749, C750,  |
| C751, C752,  |
| C753, C754,  |
| C755, C756,  |
| C757, C758,  |
| C759, C760,  |
| C761, C762,  |
| C763, C764,  |
| C765, C766,  |
| C767, C768,  |
| C769, C770,  |
| C771, C772,  |
| C773, C774,  |
| C775, C776,  |
| C777, C778,  |
| C779, C780,  |
| C781, C782,  |
| C783, C784,  |
| C785, C786,  |
| C787, C788,  |
| C789, C790,  |
| C791, C792,  |
| C793, C794,  |
| C795, C796,  |
| C797, C798,  |
| C799, C800,  |
| C801, C802,  |
| C803, C804,  |
| C805, C806,  |
| C807, C808,  |
| C809, C810,  |
| C811, C812,  |
| C813, C814,  |
| C815, C816,  |
| C817, C818,  |
| C819, C820,  |
| C821, C822,  |
| C823, C824,  |
| C825, C826,  |
| C827, C828,  |
| C829, C830,  |
| C831, C832,  |
| C833, C834,  |
| C835, C836,  |
| C837, C838,  |
| C839, C840,  |
| C841, C842,  |
| C843, C844,  |
| C845, C846,  |
| C847, C848,  |
| C849, C850,  |
| C851, C852,  |
| C853, C854,  |
| C855, C856,  |
| C857, C858,  |
| C859, C860,  |
| C861, C862,  |
| C863, C864,  |
| C865, C866,  |
| C867, C868,  |
| C869, C870,  |
| C871, C872,  |
| C873, C874,  |
| C875, C876,  |
| C877, C878,  |
| C879, C880,  |
| C881, C882,  |
| C883, C884,  |
| C885, C886,  |
| C887, C888,  |
| C889, C890,  |
| C891, C892,  |
| C893, C894,  |
| C895, C896,  |
| C897, C898,  |
| C899, C900,  |
| C901, C902,  |
| C903, C904,  |
| C905, C906,  |
| C907, C908,  |
| C909, C910,  |
| C911, C912,  |
| C913, C914,  |
| C915, C916,  |
| C917, C918,  |
| C919, C920,  |
| C921, C922,  |
| C923, C924,  |
| C925, C926,  |
| C927, C928,  |
| C929, C930,  |
| C931, C932,  |
| C933, C934,  |
| C935, C936,  |
| C937, C938,  |
| C939, C940,  |
| C941, C942,  |
| C943, C944,  |
| C945, C946,  |
| C947, C948,  |
| C949, C950,  |
| C951, C952,  |
| C953, C954,  |
| C955, C956,  |
| C957, C958,  |
| C959, C960,  |
| C961, C962,  |
| C963, C964,  |
| C965, C966,  |
| C967, C968,  |
| C969, C970,  |
| C971, C972,  |
| C973, C974,  |
| C975, C976,  |
| C977, C978,  |
| C979, C980,  |
| C981, C982,  |
| C983, C984,  |
| C985, C986,  |
| C987, C988,  |
| C989, C990,  |
| C991, C992,  |
| C993, C994,  |
| C995, C996,  |
| C997, C998,  |
| C999, C1000, |

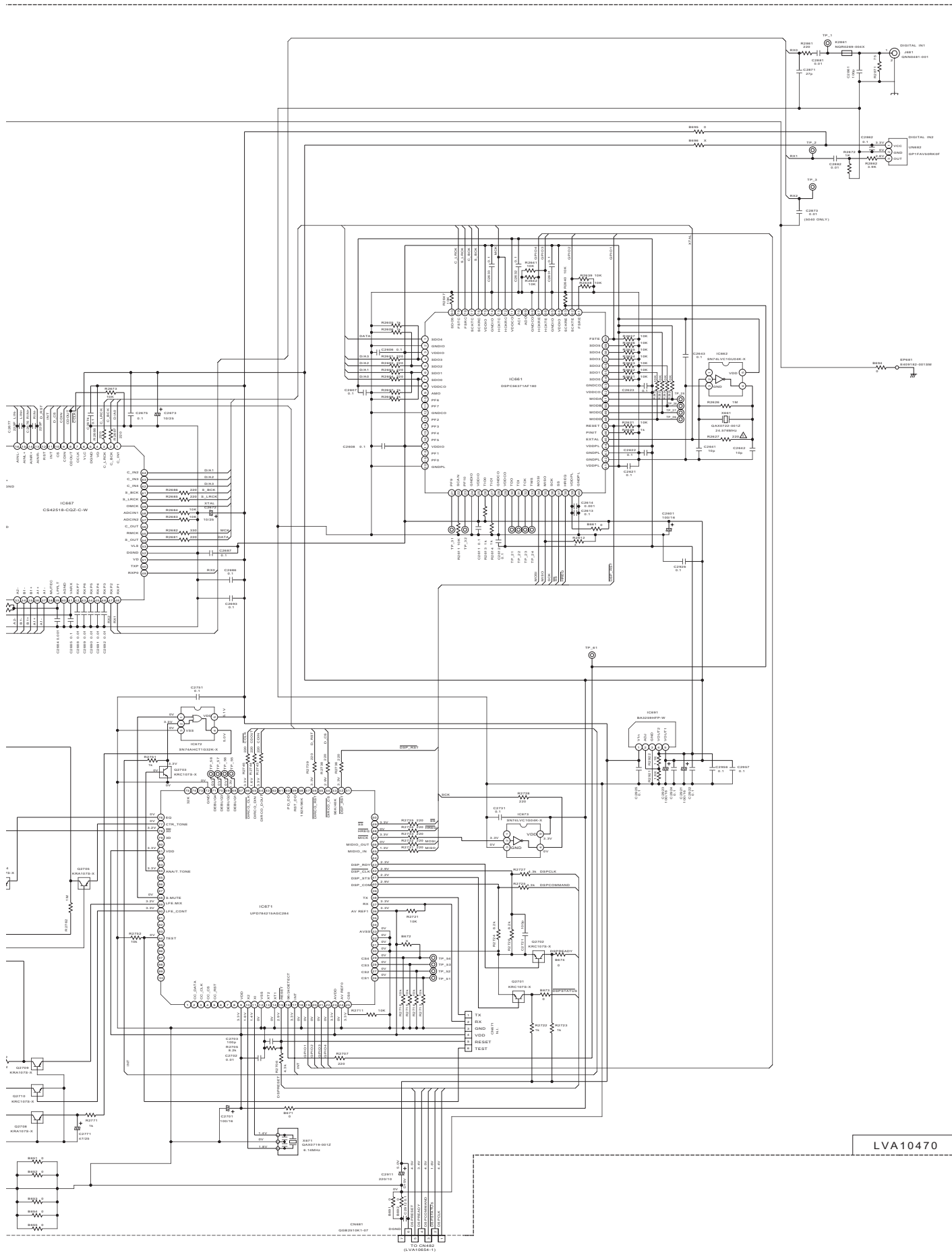


MARK LIST

| MARK   | JIC  | USUTUN | BIENEV | UP   |
|--|------|--------|--------|------|
| C423, C424, C425, C426, C428, C430, C431, C432, C435, C436, C451, C452 | NONE | NONE   | USE    | USE  |
| C512, C514, C453   | NONE | NONE   | USE    | USE  |
| C437, C438   | USE  | NONE   | USE    | USE  |
| R903, R904   | 470  | 470    | 560    | 560  |
| K901   | USE  | NONE   | NONE   | NONE |
| B903   | USE  | USE    | USE    | USE  |
| C905   | NONE | NONE   | USE    | USE  |
| B902   | USE  | USE    | NONE   | NONE |
| B901   | USE  | USE    | NONE   | NONE |
| C480   | NONE | NONE   | USE    | USE  |
| PW901  | NONE | NONE   | USE    | USE  |
| PW902  | NONE | USE    | NONE   | NONE |
| PW903  | USE  | NONE   | USE    | USE  |

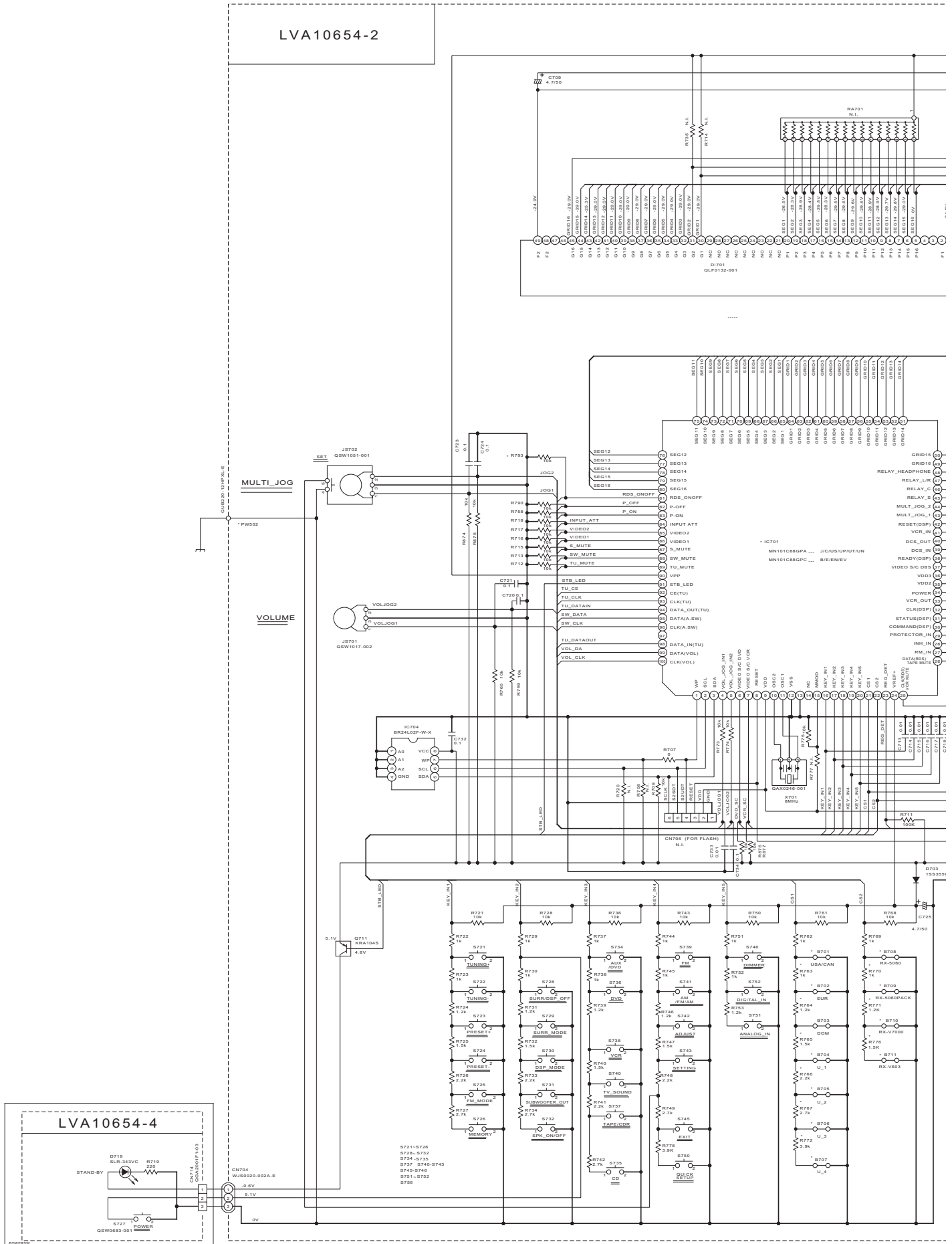
# ■ Surround / DSP section



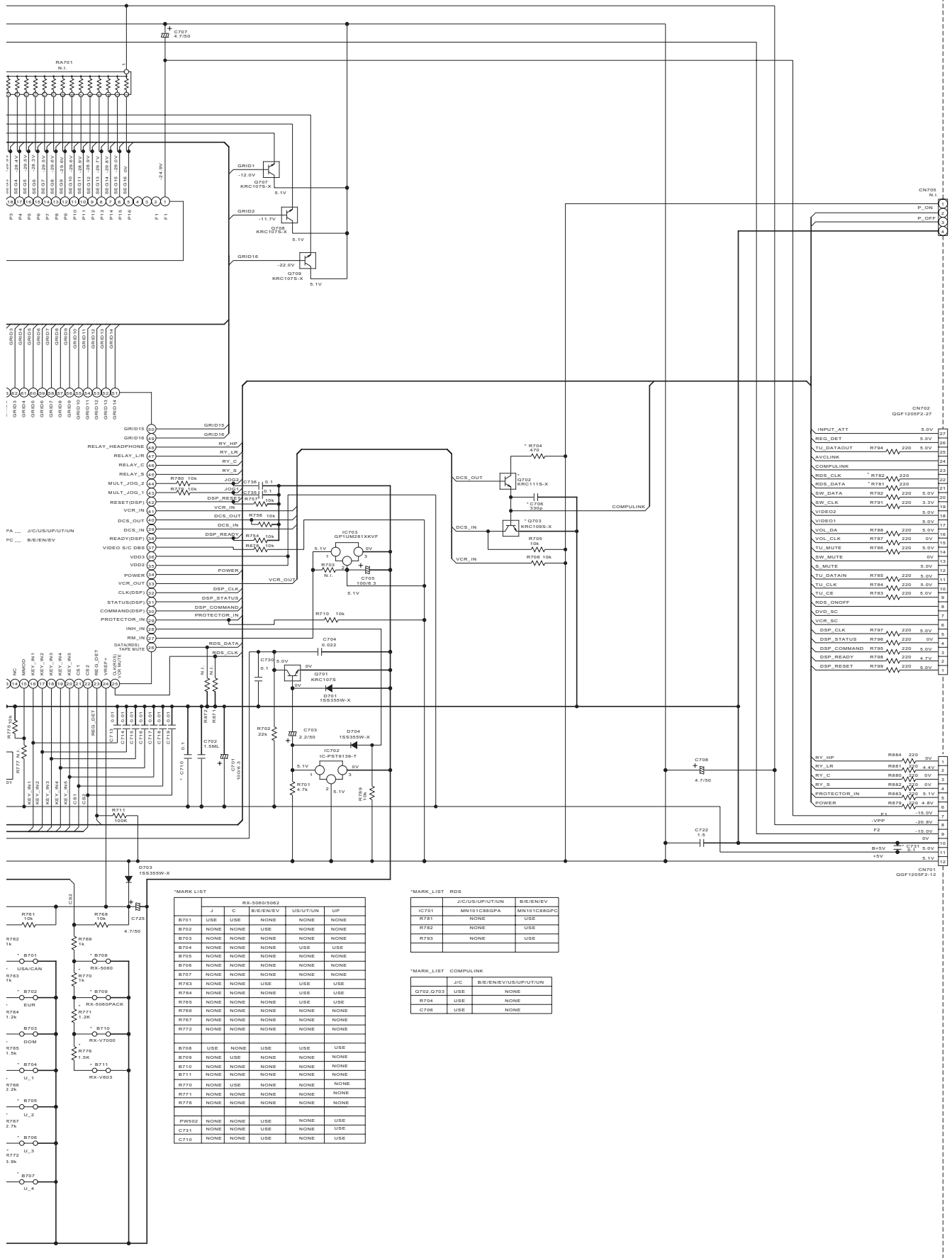


LVA10470

# User control key / System control LSI / FL display section







'MARK LIST

| J     | C    | BI/E/NE/V | US/UT/UN | UP   |
|-------|------|-----------|----------|------|
| B701  | USE  | NONE      | NONE     | NONE |
| B702  | NONE | NONE      | USE      | NONE |
| B703  | NONE | NONE      | NONE     | NONE |
| B704  | NONE | NONE      | USE      | USE  |
| B705  | NONE | NONE      | NONE     | NONE |
| B706  | NONE | NONE      | NONE     | NONE |
| B707  | NONE | NONE      | NONE     | NONE |
| B708  | NONE | NONE      | USE      | USE  |
| B709  | NONE | NONE      | USE      | USE  |
| B710  | NONE | NONE      | NONE     | NONE |
| B711  | NONE | NONE      | NONE     | NONE |
| B712  | NONE | NONE      | NONE     | NONE |
| B713  | NONE | NONE      | NONE     | NONE |
| B714  | NONE | NONE      | NONE     | NONE |
| B715  | NONE | NONE      | NONE     | NONE |
| B716  | NONE | NONE      | NONE     | NONE |
| B717  | NONE | NONE      | NONE     | NONE |
| B718  | NONE | NONE      | NONE     | NONE |
| B719  | NONE | NONE      | NONE     | NONE |
| B720  | NONE | NONE      | NONE     | NONE |
| B721  | NONE | NONE      | NONE     | NONE |
| B722  | NONE | NONE      | NONE     | NONE |
| B723  | NONE | NONE      | NONE     | NONE |
| B724  | NONE | NONE      | NONE     | NONE |
| B725  | NONE | NONE      | NONE     | NONE |
| B726  | NONE | NONE      | NONE     | NONE |
| B727  | NONE | NONE      | NONE     | NONE |
| B728  | NONE | NONE      | NONE     | NONE |
| B729  | NONE | NONE      | NONE     | NONE |
| B730  | NONE | NONE      | NONE     | NONE |
| B731  | NONE | NONE      | NONE     | NONE |
| B732  | NONE | NONE      | NONE     | NONE |
| B733  | NONE | NONE      | NONE     | NONE |
| B734  | NONE | NONE      | NONE     | NONE |
| B735  | NONE | NONE      | NONE     | NONE |
| B736  | NONE | NONE      | NONE     | NONE |
| B737  | NONE | NONE      | NONE     | NONE |
| B738  | NONE | NONE      | NONE     | NONE |
| B739  | NONE | NONE      | NONE     | NONE |
| B740  | NONE | NONE      | NONE     | NONE |
| B741  | NONE | NONE      | NONE     | NONE |
| B742  | NONE | NONE      | NONE     | NONE |
| B743  | NONE | NONE      | NONE     | NONE |
| B744  | NONE | NONE      | NONE     | NONE |
| B745  | NONE | NONE      | NONE     | NONE |
| B746  | NONE | NONE      | NONE     | NONE |
| B747  | NONE | NONE      | NONE     | NONE |
| B748  | NONE | NONE      | NONE     | NONE |
| B749  | NONE | NONE      | NONE     | NONE |
| B750  | NONE | NONE      | NONE     | NONE |
| B751  | NONE | NONE      | NONE     | NONE |
| B752  | NONE | NONE      | NONE     | NONE |
| B753  | NONE | NONE      | NONE     | NONE |
| B754  | NONE | NONE      | NONE     | NONE |
| B755  | NONE | NONE      | NONE     | NONE |
| B756  | NONE | NONE      | NONE     | NONE |
| B757  | NONE | NONE      | NONE     | NONE |
| B758  | NONE | NONE      | NONE     | NONE |
| B759  | NONE | NONE      | NONE     | NONE |
| B760  | NONE | NONE      | NONE     | NONE |
| B761  | NONE | NONE      | NONE     | NONE |
| B762  | NONE | NONE      | NONE     | NONE |
| B763  | NONE | NONE      | NONE     | NONE |
| B764  | NONE | NONE      | NONE     | NONE |
| B765  | NONE | NONE      | NONE     | NONE |
| B766  | NONE | NONE      | NONE     | NONE |
| B767  | NONE | NONE      | NONE     | NONE |
| B768  | NONE | NONE      | NONE     | NONE |
| B769  | NONE | NONE      | NONE     | NONE |
| B770  | NONE | NONE      | NONE     | NONE |
| B771  | NONE | NONE      | NONE     | NONE |
| B772  | NONE | NONE      | NONE     | NONE |
| B773  | NONE | NONE      | NONE     | NONE |
| B774  | NONE | NONE      | NONE     | NONE |
| B775  | NONE | NONE      | NONE     | NONE |
| B776  | NONE | NONE      | NONE     | NONE |
| B777  | NONE | NONE      | NONE     | NONE |
| B778  | NONE | NONE      | NONE     | NONE |
| B779  | NONE | NONE      | NONE     | NONE |
| B780  | NONE | NONE      | NONE     | NONE |
| B781  | NONE | NONE      | NONE     | NONE |
| B782  | NONE | NONE      | NONE     | NONE |
| B783  | NONE | NONE      | NONE     | NONE |
| B784  | NONE | NONE      | NONE     | NONE |
| B785  | NONE | NONE      | NONE     | NONE |
| B786  | NONE | NONE      | NONE     | NONE |
| B787  | NONE | NONE      | NONE     | NONE |
| B788  | NONE | NONE      | NONE     | NONE |
| B789  | NONE | NONE      | NONE     | NONE |
| B790  | NONE | NONE      | NONE     | NONE |
| B791  | NONE | NONE      | NONE     | NONE |
| B792  | NONE | NONE      | NONE     | NONE |
| B793  | NONE | NONE      | NONE     | NONE |
| B794  | NONE | NONE      | NONE     | NONE |
| B795  | NONE | NONE      | NONE     | NONE |
| B796  | NONE | NONE      | NONE     | NONE |
| B797  | NONE | NONE      | NONE     | NONE |
| B798  | NONE | NONE      | NONE     | NONE |
| B799  | NONE | NONE      | NONE     | NONE |
| B800  | NONE | NONE      | NONE     | NONE |
| B801  | NONE | NONE      | NONE     | NONE |
| B802  | NONE | NONE      | NONE     | NONE |
| B803  | NONE | NONE      | NONE     | NONE |
| B804  | NONE | NONE      | NONE     | NONE |
| B805  | NONE | NONE      | NONE     | NONE |
| B806  | NONE | NONE      | NONE     | NONE |
| B807  | NONE | NONE      | NONE     | NONE |
| B808  | NONE | NONE      | NONE     | NONE |
| B809  | NONE | NONE      | NONE     | NONE |
| B810  | NONE | NONE      | NONE     | NONE |
| B811  | NONE | NONE      | NONE     | NONE |
| B812  | NONE | NONE      | NONE     | NONE |
| B813  | NONE | NONE      | NONE     | NONE |
| B814  | NONE | NONE      | NONE     | NONE |
| B815  | NONE | NONE      | NONE     | NONE |
| B816  | NONE | NONE      | NONE     | NONE |
| B817  | NONE | NONE      | NONE     | NONE |
| B818  | NONE | NONE      | NONE     | NONE |
| B819  | NONE | NONE      | NONE     | NONE |
| B820  | NONE | NONE      | NONE     | NONE |
| B821  | NONE | NONE      | NONE     | NONE |
| B822  | NONE | NONE      | NONE     | NONE |
| B823  | NONE | NONE      | NONE     | NONE |
| B824  | NONE | NONE      | NONE     | NONE |
| B825  | NONE | NONE      | NONE     | NONE |
| B826  | NONE | NONE      | NONE     | NONE |
| B827  | NONE | NONE      | NONE     | NONE |
| B828  | NONE | NONE      | NONE     | NONE |
| B829  | NONE | NONE      | NONE     | NONE |
| B830  | NONE | NONE      | NONE     | NONE |
| B831  | NONE | NONE      | NONE     | NONE |
| B832  | NONE | NONE      | NONE     | NONE |
| B833  | NONE | NONE      | NONE     | NONE |
| B834  | NONE | NONE      | NONE     | NONE |
| B835  | NONE | NONE      | NONE     | NONE |
| B836  | NONE | NONE      | NONE     | NONE |
| B837  | NONE | NONE      | NONE     | NONE |
| B838  | NONE | NONE      | NONE     | NONE |
| B839  | NONE | NONE      | NONE     | NONE |
| B840  | NONE | NONE      | NONE     | NONE |
| B841  | NONE | NONE      | NONE     | NONE |
| B842  | NONE | NONE      | NONE     | NONE |
| B843  | NONE | NONE      | NONE     | NONE |
| B844  | NONE | NONE      | NONE     | NONE |
| B845  | NONE | NONE      | NONE     | NONE |
| B846  | NONE | NONE      | NONE     | NONE |
| B847  | NONE | NONE      | NONE     | NONE |
| B848  | NONE | NONE      | NONE     | NONE |
| B849  | NONE | NONE      | NONE     | NONE |
| B850  | NONE | NONE      | NONE     | NONE |
| B851  | NONE | NONE      | NONE     | NONE |
| B852  | NONE | NONE      | NONE     | NONE |
| B853  | NONE | NONE      | NONE     | NONE |
| B854  | NONE | NONE      | NONE     | NONE |
| B855  | NONE | NONE      | NONE     | NONE |
| B856  | NONE | NONE      | NONE     | NONE |
| B857  | NONE | NONE      | NONE     | NONE |
| B858  | NONE | NONE      | NONE     | NONE |
| B859  | NONE | NONE      | NONE     | NONE |
| B860  | NONE | NONE      | NONE     | NONE |
| B861  | NONE | NONE      | NONE     | NONE |
| B862  | NONE | NONE      | NONE     | NONE |
| B863  | NONE | NONE      | NONE     | NONE |
| B864  | NONE | NONE      | NONE     | NONE |
| B865  | NONE | NONE      | NONE     | NONE |
| B866  | NONE | NONE      | NONE     | NONE |
| B867  | NONE | NONE      | NONE     | NONE |
| B868  | NONE | NONE      | NONE     | NONE |
| B869  | NONE | NONE      | NONE     | NONE |
| B870  | NONE | NONE      | NONE     | NONE |
| B871  | NONE | NONE      | NONE     | NONE |
| B872  | NONE | NONE      | NONE     | NONE |
| B873  | NONE | NONE      | NONE     | NONE |
| B874  | NONE | NONE      | NONE     | NONE |
| B875  | NONE | NONE      | NONE     | NONE |
| B876  | NONE | NONE      | NONE     | NONE |
| B877  | NONE | NONE      | NONE     | NONE |
| B878  | NONE | NONE      | NONE     | NONE |
| B879  | NONE | NONE      | NONE     | NONE |
| B880  | NONE | NONE      | NONE     | NONE |
| B881  | NONE | NONE      | NONE     | NONE |
| B882  | NONE | NONE      | NONE     | NONE |
| B883  | NONE | NONE      | NONE     | NONE |
| B884  | NONE | NONE      | NONE     | NONE |
| B885  | NONE | NONE      | NONE     | NONE |
| B886  | NONE | NONE      | NONE     | NONE |
| B887  | NONE | NONE      | NONE     | NONE |
| B888  | NONE | NONE      | NONE     | NONE |
| B889  | NONE | NONE      | NONE     | NONE |
| B890  | NONE | NONE      | NONE     | NONE |
| B891  | NONE | NONE      | NONE     | NONE |
| B892  | NONE | NONE      | NONE     | NONE |
| B893  | NONE | NONE      | NONE     | NONE |
| B894  | NONE | NONE      | NONE     | NONE |
| B895  | NONE | NONE      | NONE     | NONE |
| B896  | NONE | NONE      | NONE     | NONE |
| B897  | NONE | NONE      | NONE     | NONE |
| B898  | NONE | NONE      | NONE     | NONE |
| B899  | NONE | NONE      | NONE     | NONE |
| B900  | NONE | NONE      | NONE     | NONE |
| B901  | NONE | NONE      | NONE     | NONE |
| B902  | NONE | NONE      | NONE     | NONE |
| B903  | NONE | NONE      | NONE     | NONE |
| B904  | NONE | NONE      | NONE     | NONE |
| B905  | NONE | NONE      | NONE     | NONE |
| B906  | NONE | NONE      | NONE     | NONE |
| B907  | NONE | NONE      | NONE     | NONE |
| B908  | NONE | NONE      | NONE     | NONE |
| B909  | NONE | NONE      | NONE     | NONE |
| B910  | NONE | NONE      | NONE     | NONE |
| B911  | NONE | NONE      | NONE     | NONE |
| B912  | NONE | NONE      | NONE     | NONE |
| B913  | NONE | NONE      | NONE     | NONE |
| B914  | NONE | NONE      | NONE     | NONE |
| B915  | NONE | NONE      | NONE     | NONE |
| B916  | NONE | NONE      | NONE     | NONE |
| B917  | NONE | NONE      | NONE     | NONE |
| B918  | NONE | NONE      | NONE     | NONE |
| B919  | NONE | NONE      | NONE     | NONE |
| B920  | NONE | NONE      | NONE     | NONE |
| B921  | NONE | NONE      | NONE     | NONE |
| B922  | NONE | NONE      | NONE     | NONE |
| B923  | NONE | NONE      | NONE     | NONE |
| B924  | NONE | NONE      | NONE     | NONE |
| B925  | NONE | NONE      | NONE     | NONE |
| B926  | NONE | NONE      | NONE     | NONE |
| B927  | NONE | NONE      | NONE     | NONE |
| B928  | NONE | NONE      | NONE     | NONE |
| B929  | NONE | NONE      | NONE     | NONE |
| B930  | NONE | NONE      | NONE     | NONE |
| B931  | NONE | NONE      | NONE     | NONE |
| B932  | NONE | NONE      | NONE     | NONE |
| B933  | NONE | NONE      | NONE     | NONE |
| B934  | NONE | NONE      | NONE     | NONE |
| B935  | NONE | NONE      | NONE     | NONE |
| B936  | NONE | NONE      | NONE     | NONE |
| B937  | NONE | NONE      | NONE     | NONE |
| B938  | NONE | NONE      | NONE     | NONE |
| B939  | NONE | NONE      | NONE     | NONE |
| B940  | NONE | NONE      | NONE     | NONE |
| B941  | NONE | NONE      | NONE     | NONE |
| B942  | NONE | NONE      | NONE     | NONE |
| B943  | NONE | NONE      | NONE     | NONE |
| B944  | NONE | NONE      | NONE     | NONE |
| B945  | NONE | NONE      | NONE     | NONE |
| B946  | NONE | NONE      | NONE     | NONE |
| B947  | NONE | NONE      | NONE     | NONE |
| B948  | NONE | NONE      | NONE     | NONE |
| B949  | NONE | NONE      | NONE     | NONE |
| B950  | NONE | NONE      | NONE     | NONE |
| B951  | NONE | NONE      | NONE     | NONE |
| B952  | NONE | NONE      | NONE     | NONE |
| B953  | NONE | NONE      | NONE     | NONE |
| B954  | NONE | NONE      | NONE     | NONE |
| B955  | NONE | NONE      | NONE     | NONE |
| B956  | NONE | NONE      | NONE     | NONE |
| B957  | NONE | NONE      | NONE     | NONE |
| B958  | NONE | NONE      | NONE     | NONE |
| B959  | NONE | NONE      | NONE     | NONE |
| B960  | NONE | NONE      | NONE     | NONE |
| B961  | NONE | NONE      | NONE     | NONE |
| B962  | NONE | NONE      | NONE     | NONE |
| B963  | NONE | NONE      | NONE     | NONE |
| B964  | NONE | NONE      | NONE     | NONE |
| B965  | NONE | NONE      | NONE     | NONE |
| B966  | NONE | NONE      | NONE     | NONE |
| B967  | NONE | NONE      | NONE     | NONE |
| B968  | NONE | NONE      | NONE     | NONE |
| B969  | NONE | NONE      | NONE     | NONE |
| B970  | NONE | NONE      | NONE     | NONE |
| B971  | NONE | NONE      | NONE     | NONE |
| B972  | NONE | NONE      | NONE     | NONE |
| B973  | NONE | NONE      | NONE     | NONE |
| B974  | NONE | NONE      | NONE     | NONE |
| B975  | NONE | NONE      | NONE     | NONE |
| B976  | NONE | NONE      | NONE     | NONE |
| B977  | NONE | NONE      | NONE     | NONE |
| B978  | NONE | NONE      | NONE     | NONE |
| B979  | NONE | NONE      | NONE     | NONE |
| B980  | NONE | NONE      | NONE     | NONE |
| B981  | NONE | NONE      | NONE     | NONE |
| B982  | NONE | NONE      | NONE     | NONE |
| B983  | NONE | NONE      | NONE     | NONE |
| B984  | NONE | NONE      | NONE     | NONE |
| B985  | NONE | NONE      | NONE     | NONE |
| B986  | NONE | NONE      | NONE     | NONE |
| B987  | NONE | NONE      | NONE     | NONE |
| B988  | NONE | NONE      | NONE     | NONE |
| B989  | NONE | NONE      | NONE     | NONE |
| B990  | NONE | NONE      | NONE     | NONE |
| B991  | NONE | NONE      | NONE     | NONE |
| B992  | NONE | NONE      | NONE     | NONE |
| B993  | NONE | NONE      | NONE     | NONE |
| B994  | NONE | NONE      | NONE     | NONE |
| B995  | NONE | NONE      | NONE     | NONE |
| B996  | NONE | NONE      | NONE     | NONE |
| B997  | NONE | NONE      | NONE     | NONE |
| B998  | NONE | NONE      | NONE     | NONE |
| B999  | NONE | NONE      | NONE     | NONE |
| B1000 | NONE | NONE      | NONE     | NONE |

'MARK\_LIST RDS

| J     | C    | BI/E/NE/V | US/UT/UN | UP   |
|-------|------|-----------|----------|------|
| IC701 | USE  | NONE      | NONE     | NONE |
| R701  | NONE | NONE      | USE      | NONE |
| R702  | NONE | NONE      | USE      | NONE |
| R703  | NONE | NONE      | NONE     | USE  |

'MARK\_LIST COMPLINK

| J    | C    | BI/E/NE/V | US/UT/UN | UP   |
|------|------|-----------|----------|------|
| DT02 | DT03 | USE       | NONE     | USE  |
| R704 | USE  | NONE      | NONE     | NONE |
| CF06 | USE  | NONE      | NONE     | NONE |

to CN402 (LVA10654-1)

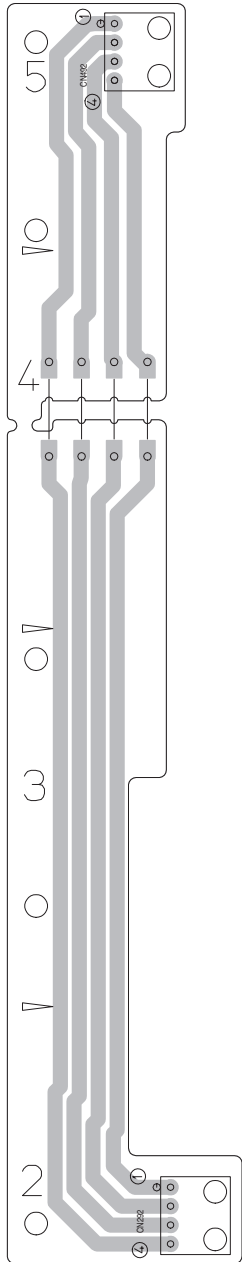
to CN201 (LVA10652-1)

# Printed circuit boards

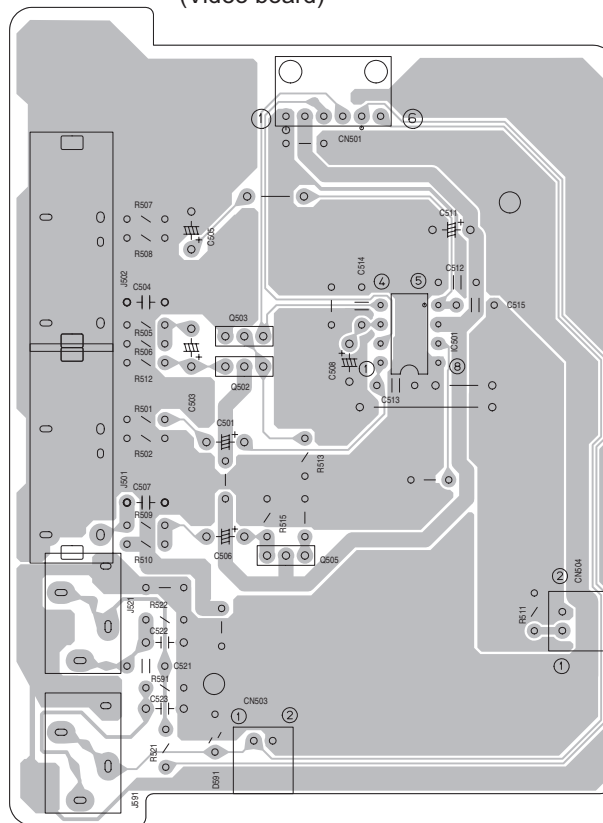
## ■ Power supply board

Lead free solder used in the board (material : Sn-Ag-Cu, melting point : 219 Centigrade)

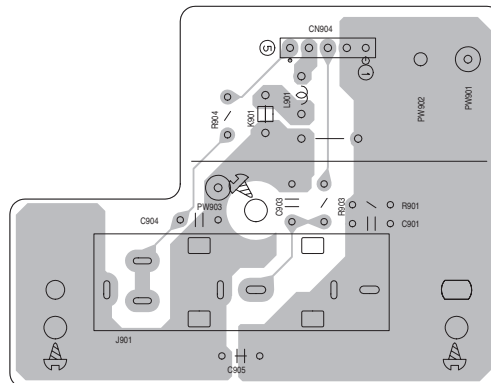
(Relay board)



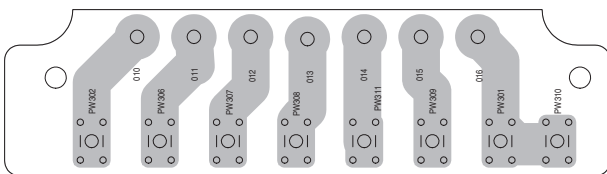
(Video board)



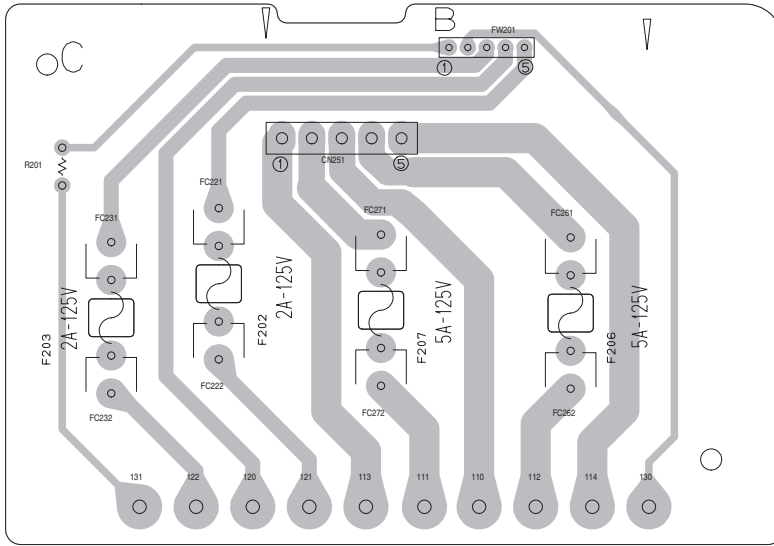
(Front jack board)



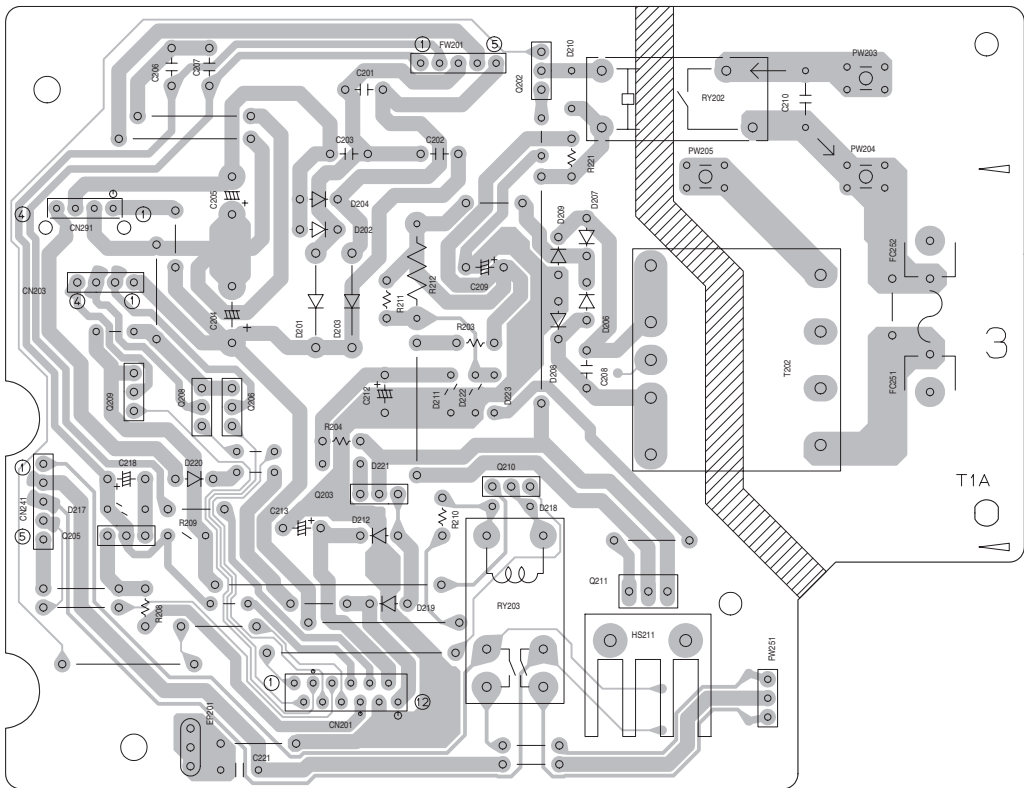
(Power transformer board 2)



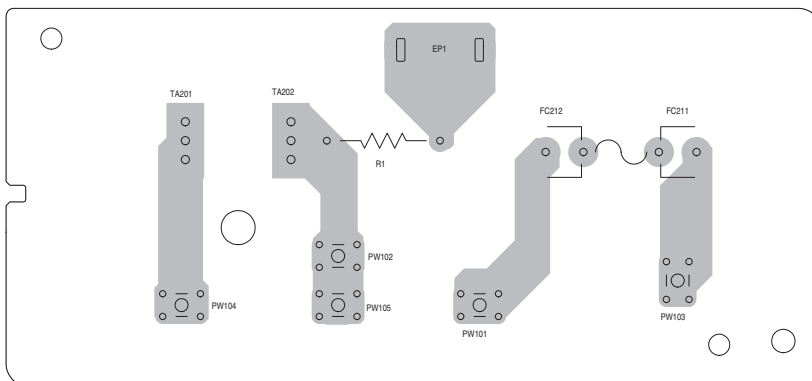
(Power transformer board 1)



(Main board)

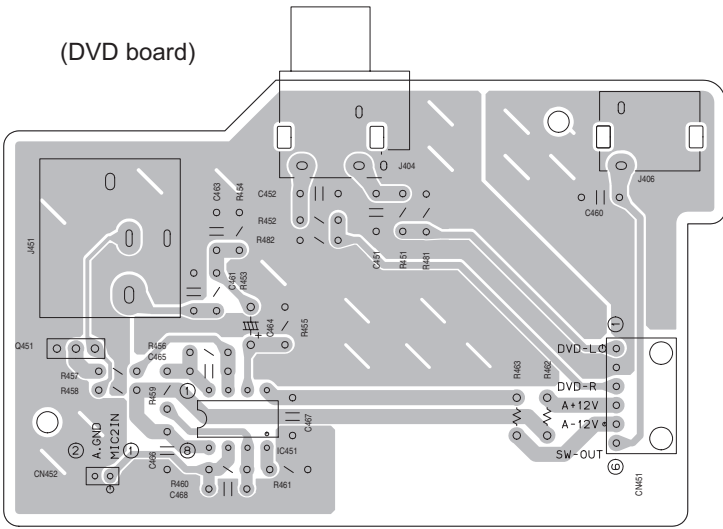


(Power / Fuse board)

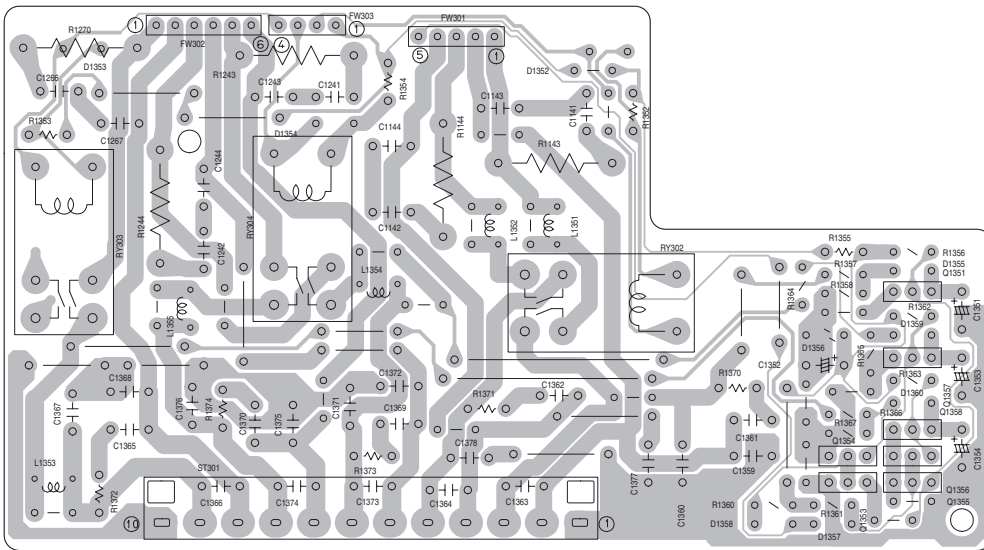


**Amp board** Lead free solder used in the board (material : Sn-Ag-Cu, melting point : 219 Centigrade)

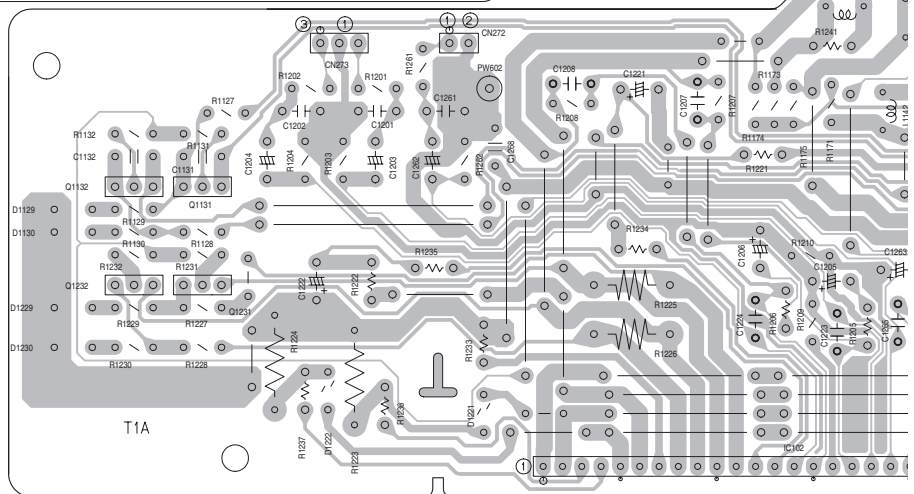
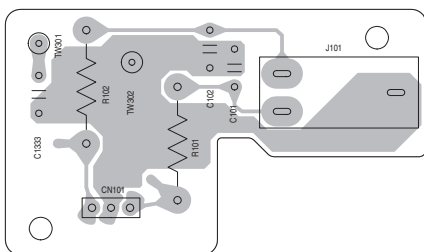
(DVD board)



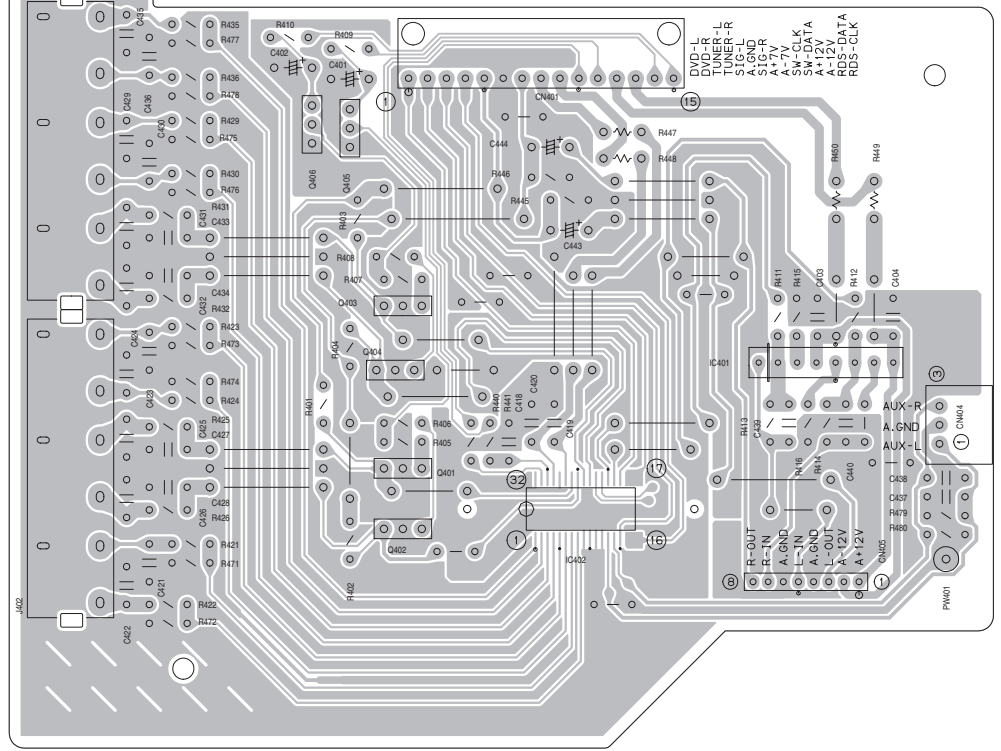
(Speaker terminal board)



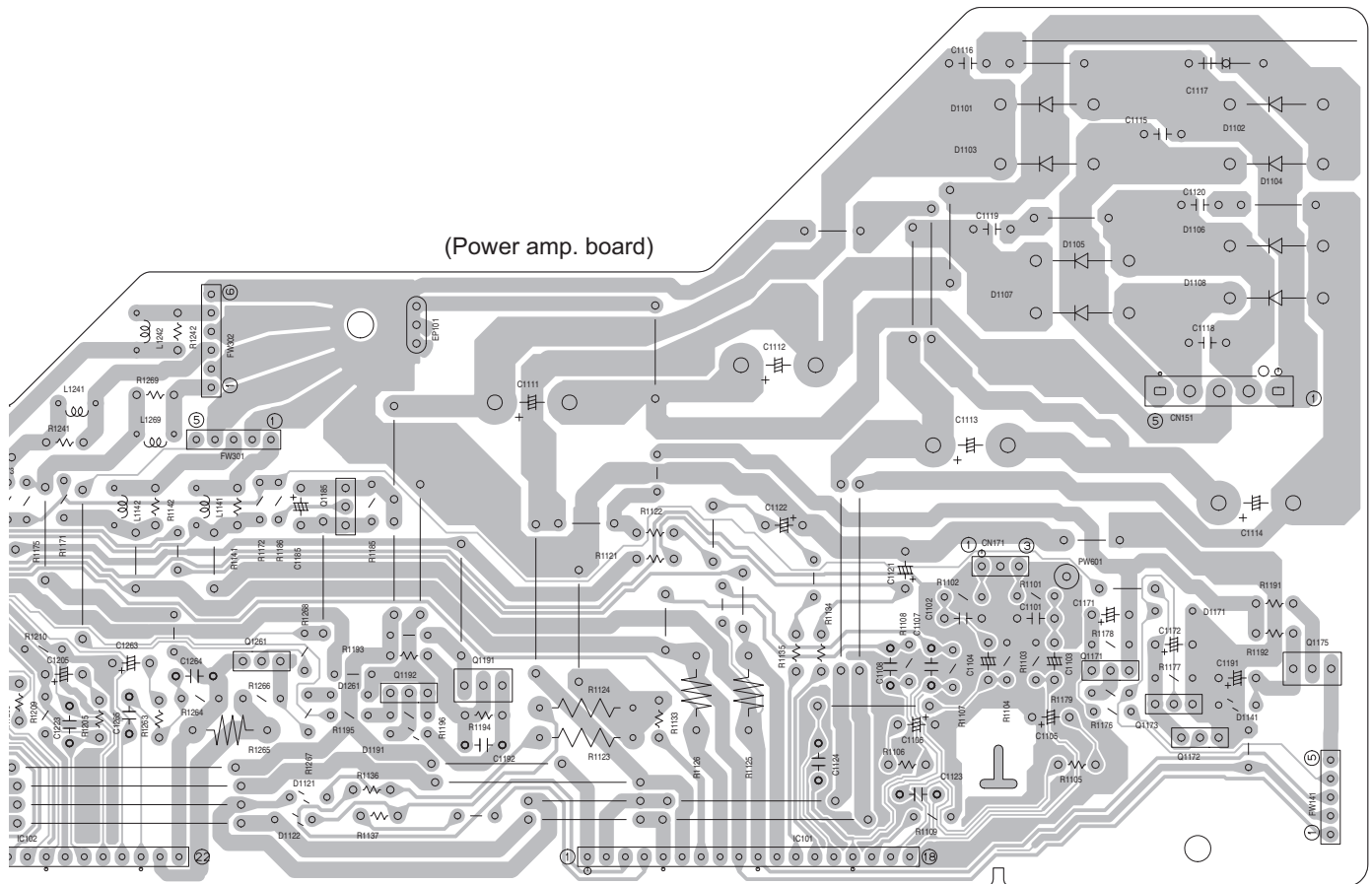
(Headphone jack board)



(Audio board)



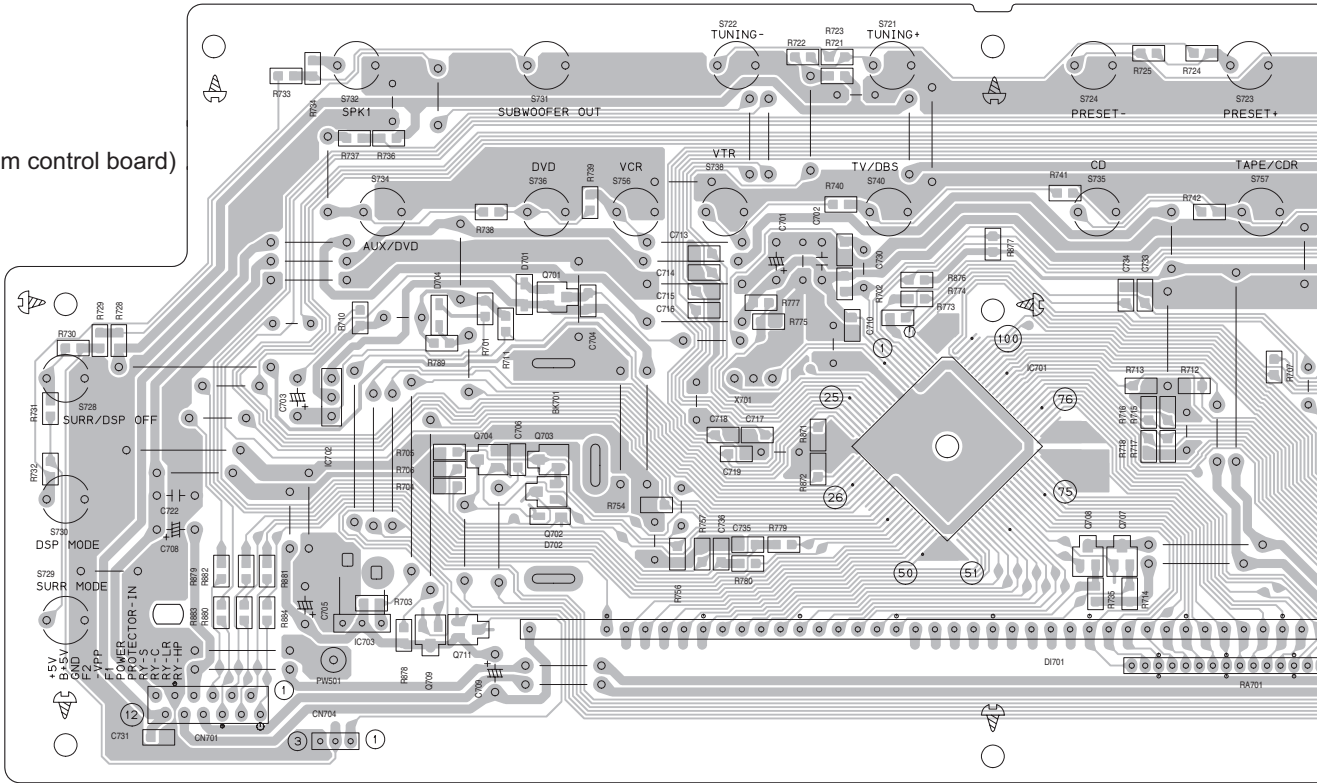
(Power amp. board)



■ **Front board**

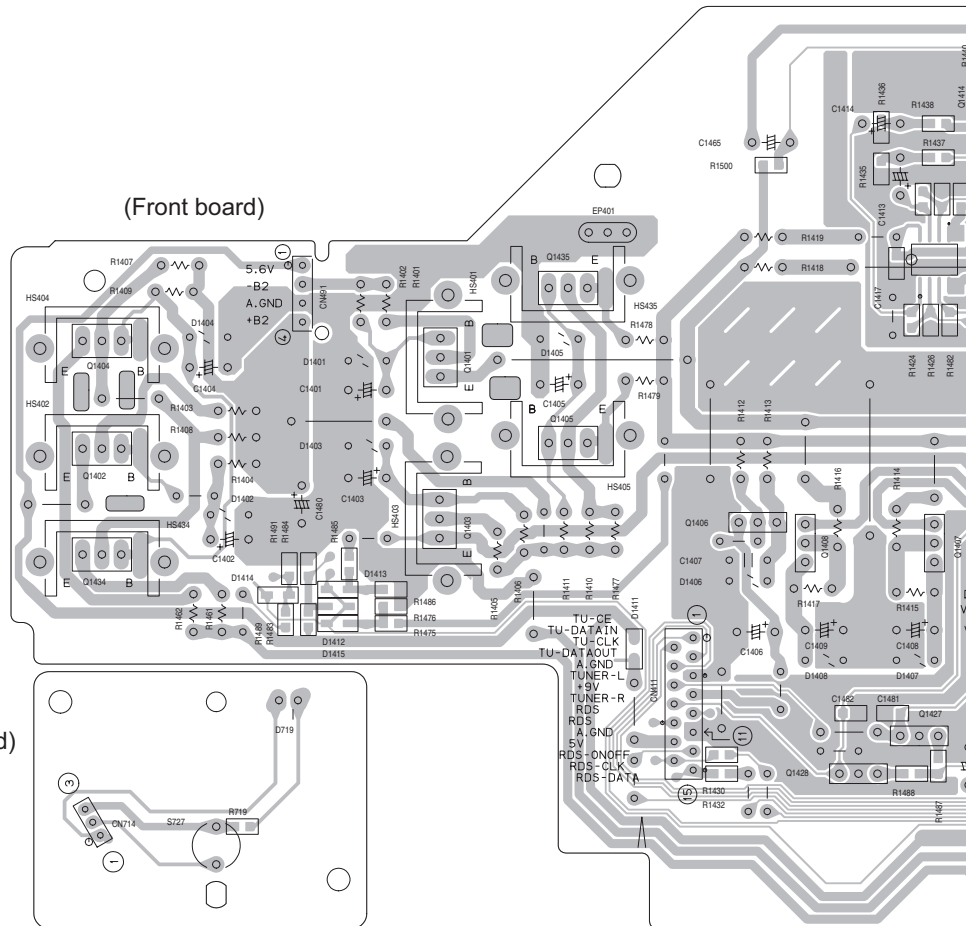
Lead free solder used in the board (material : Sn-Ag-Cu, melting point : 219 Centigrade)

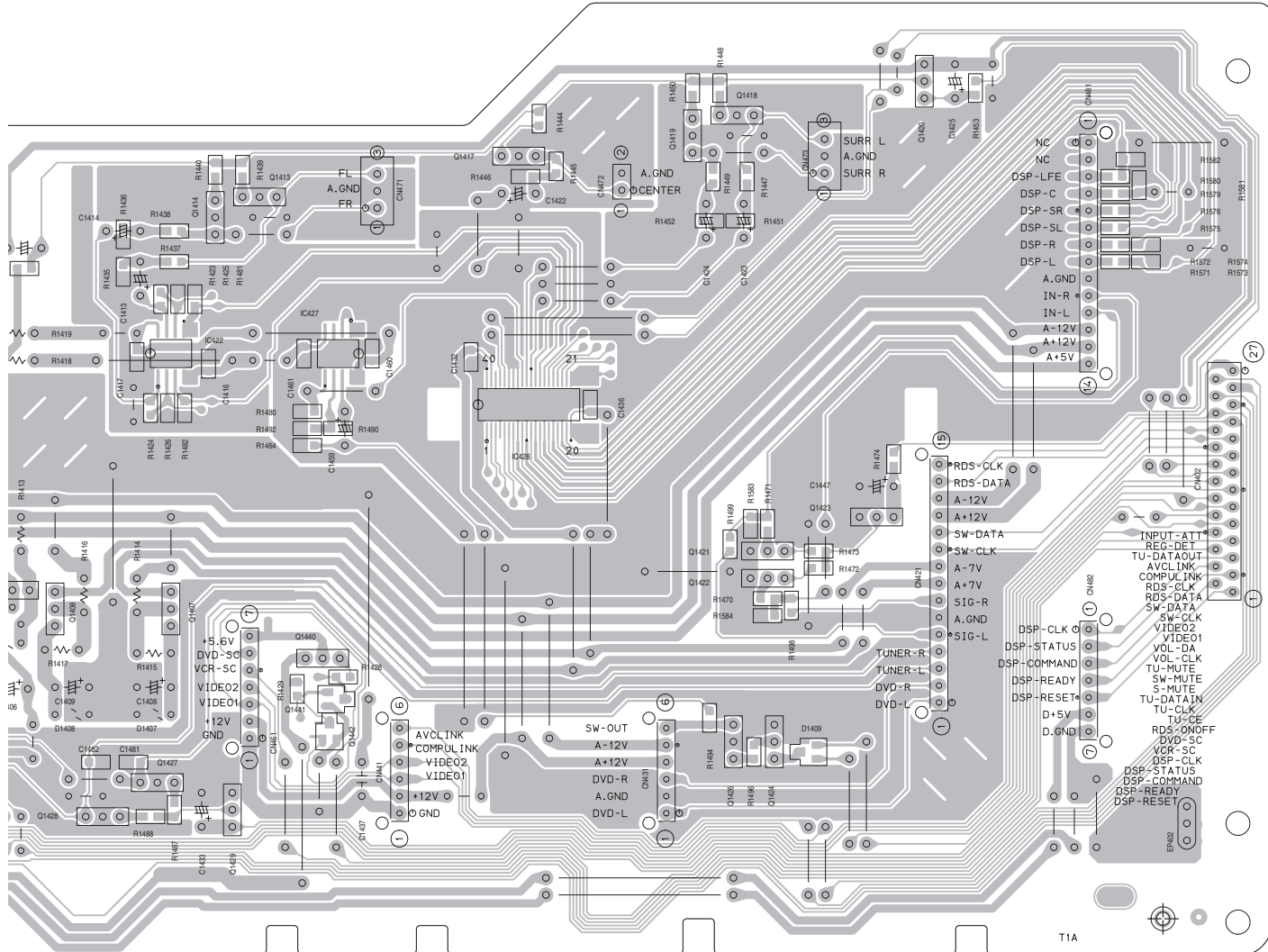
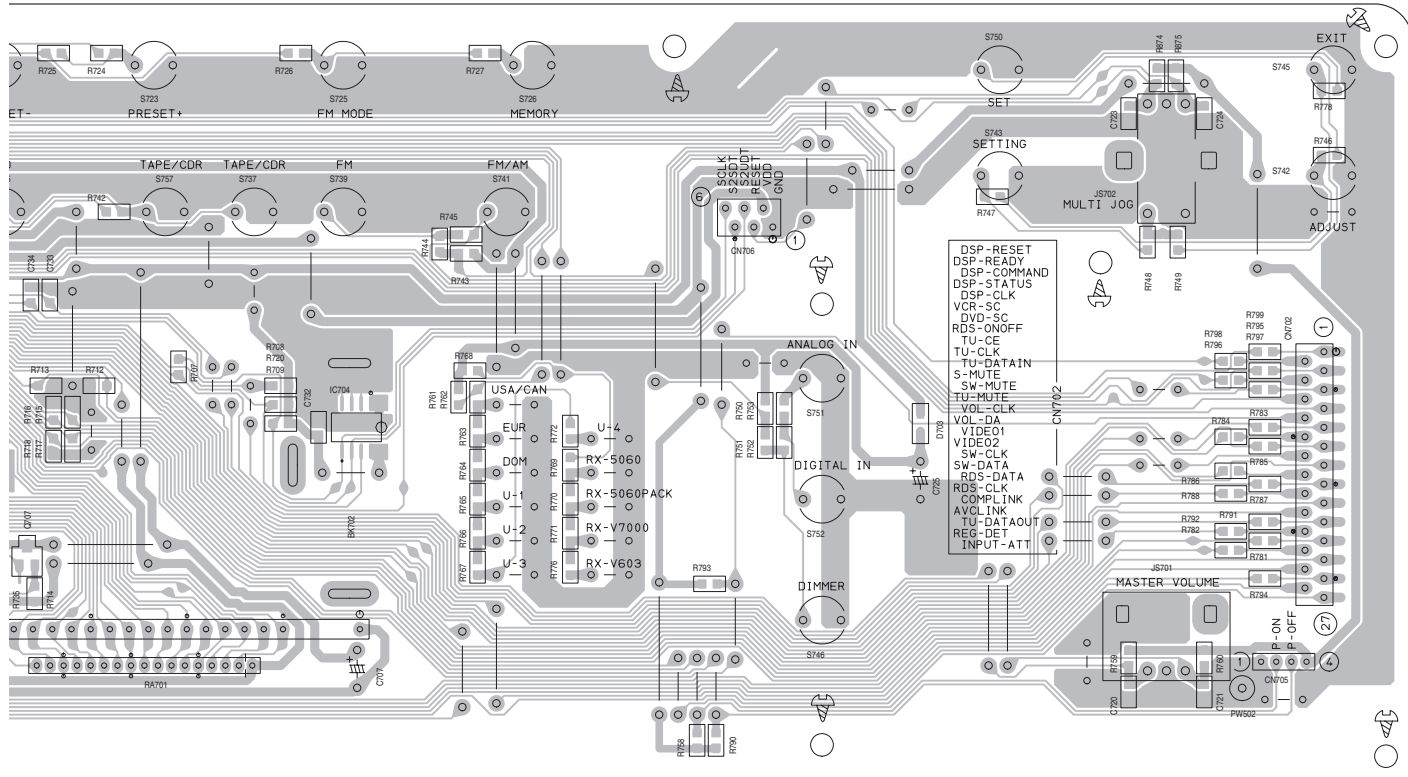
(System control board)



(Front board)

(Power switch board)

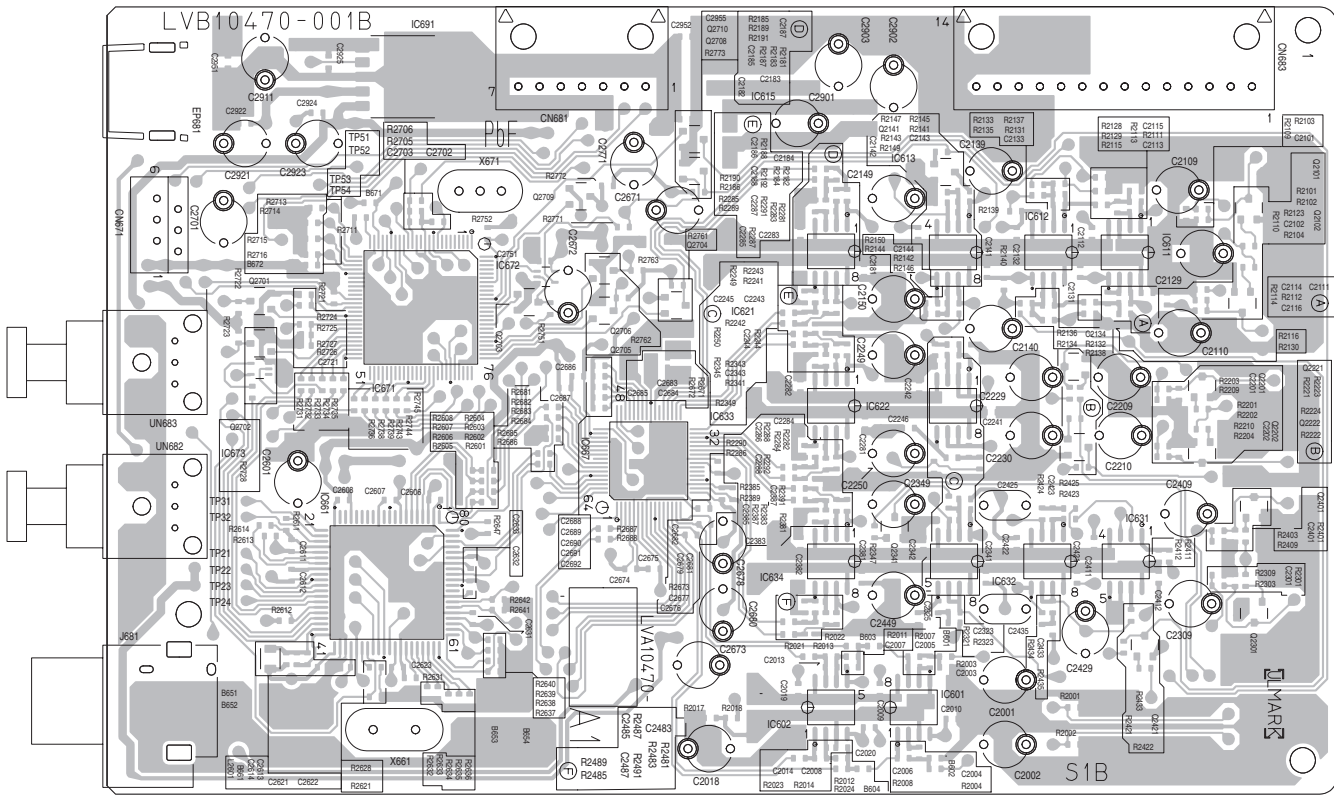




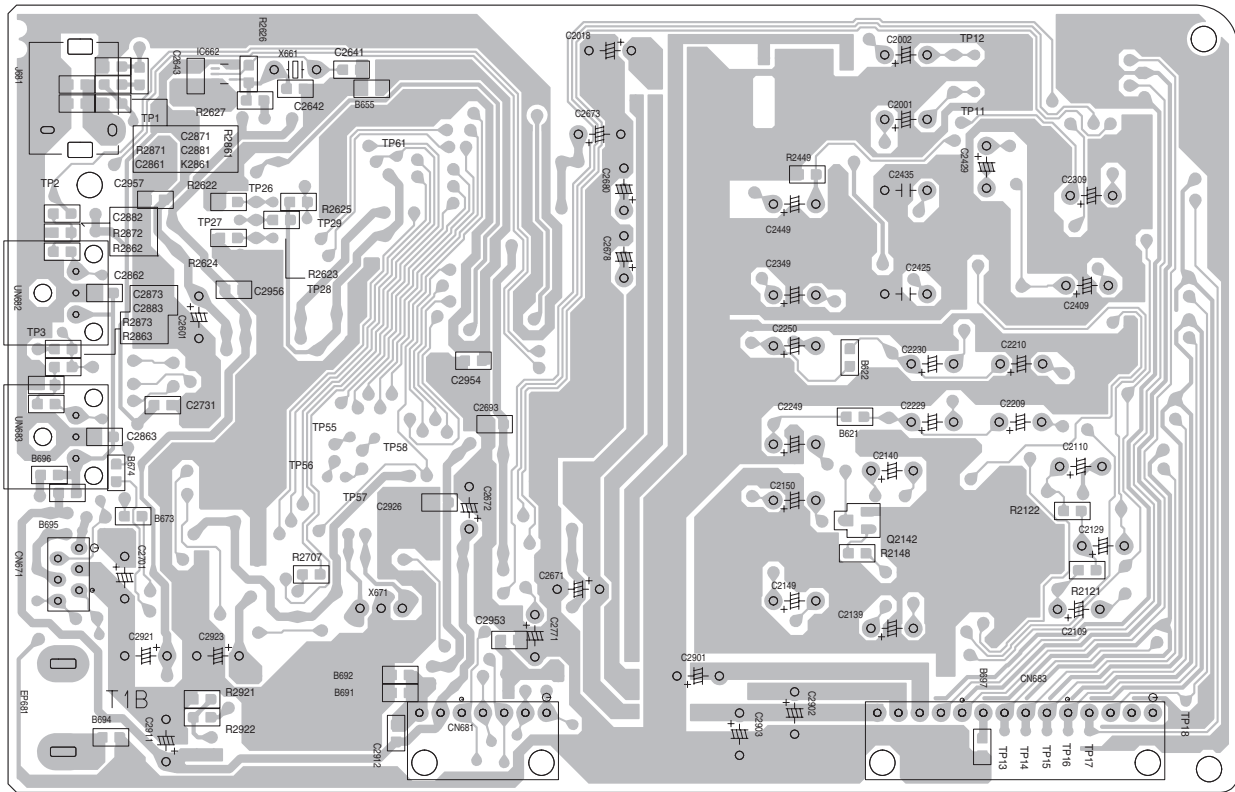
# DSP board

Lead free solder used in the board (material : Sn-Ag-Cu, melting point : 219 Centigrade)

forward side



reverse side





< MEMO >

**JVC**

Victor Company of Japan, Limited

Audio/Video Systems Category 10-1,1chome,Ohwatari-machi,Maebashi-city,371-8543,Japan

(No.MB504SCH)



Printed in Japan  
VPT

# PARTS LIST

RX-5060BJ,RX-5060BC,RX-5060BE  
RX-5062SB,RX-5062SE,RX-5062SEN,RX-5062SEV

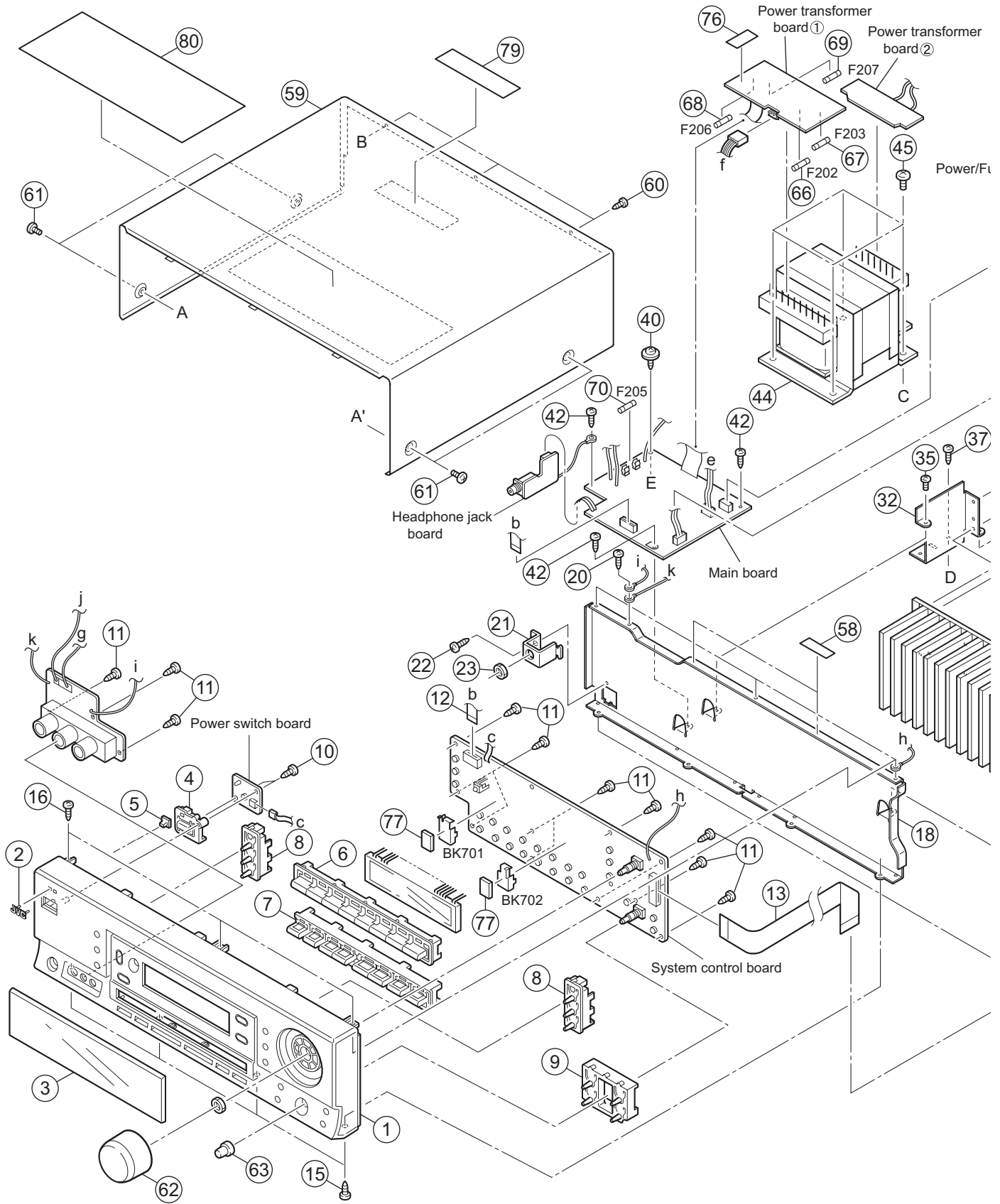
\* All printed circuit boards and its assemblies are not available as service parts.

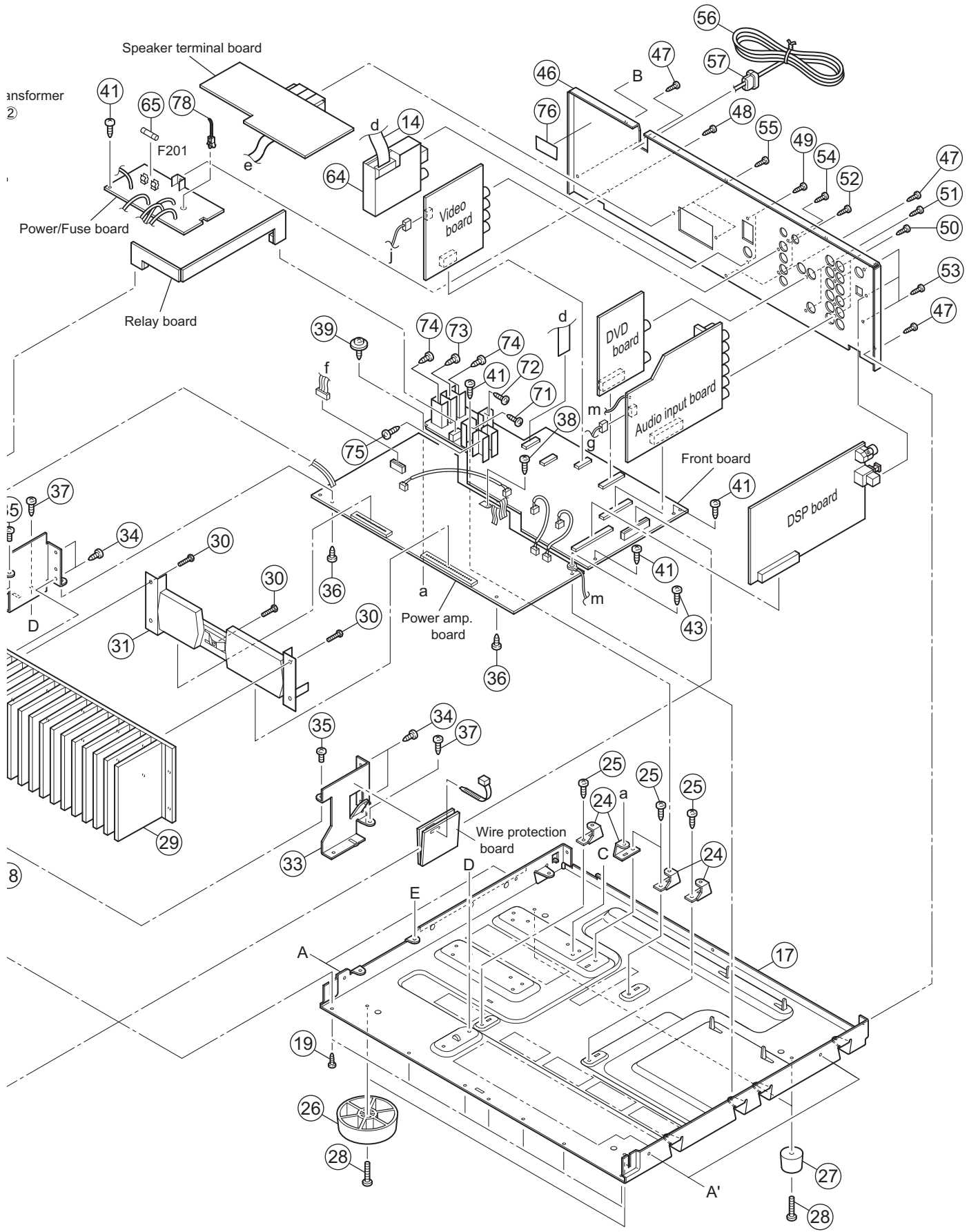
- Contents -

|  |      |
|--|------|
| Exploded view of general assembly and parts list (Block No.M1) ..... | 3-2  |
| Electrical parts list (Block No.01~04).....                          | 3-6  |
| Packing materials and accessories parts list (Block No.M3) .....     | 3-16 |

# Exploded view of general assembly and parts list

Block No. M 1 M M





# General Assembly

Block No. [M][1][M][M]

| △ | Symbol No. | Part No.        | Part Name         | Description     | Local                                    |
|---|------------|-----------------|-------------------|-----------------|--|
|   | 1          | LV10756-033A    | FRONT PANEL       |                 | 5060BJ,5060BC                            |
|   | 1          | LV10756-034A    | FRONT PANEL       |                 | 5060BE                                   |
|   | 1          | LV10756-036A    | FRONT PANEL       |                 | 5062SE,5062SB,5062SEN,5062SEV            |
|   | 2          | LV43338-002A    | JVC MARK          |                 |  |
|   | 3          | LV34003-001A    | LENS              |                 |  |
|   | 4          | LV34000-003A    | PUSH BUTTON(POW)  |                 | 5060BJ,5060BC,5060BE                     |
|   | 4          | LV34000-004A    | PUSH BUTTON(POW)  |                 | 5062SE,5062SB,5062SEN,5062SEV            |
|   | 5          | LV42096-001A    | INDICATOR         |                 |  |
|   | 6          | LV21420-003A    | PUSH BUTTON       |                 | 5060BJ,5060BC,5060BE                     |
|   | 6          | LV21420-004A    | PUSH BUTTON       |                 | 5062SE,5062SB,5062SEN,5062SEV            |
|   | 7          | LV21421-001A    | PUSH BUTTON(FM)   |                 | 5060BJ,5060BC,5060BE                     |
|   | 7          | LV21421-002A    | PUSH BUTTON(FM)   |                 | 5062SE,5062SB,5062SEN,5062SEV            |
|   | 8          | LV34001-001A    | 3-BUTTON          | (x2)            | 5060BJ,5060BC,5060BE                     |
|   | 8          | LV34001-002A    | 3-BUTTON          | (x2)            | 5062SE,5062SB,5062SEN,5062SEV            |
|   | 9          | LV34002-001A    | 4-BUTTON          |                 | 5060BJ,5060BC,5060BE                     |
|   | 9          | LV34002-002A    | 4-BUTTON          |                 | 5062SE,5062SB,5062SEN,5062SEV            |
|   | 10         | QYSBSF2608ZA    | TAP SCREW         | M2.6 x 8mm(x2)  |  |
|   | 11         | QYSBSF2608ZA    | TAP SCREW         | M2.6 x 8mm(x12) |  |
|   | 12         | QUQQ12-1215CJ-E | FFC WIRE          | 12pin 15cm      |  |
|   | 13         | QUQQ12-2730CJ-E | FFC WIRE          | 27pin 30cm      |  |
|   | 14         | QUQQ12-1110CJ-E | FFC WIRE          | 11pin 10cm      | 5060BJ,5060BC                            |
|   | 14         | QUQQ12-1510CJ-E | FFC WIRE          | 15pin 10cm      | 5060BE,5062SE,5062SB,5062SEN,<br>5062SEV |
|   | 15         | QYSDSG3008ZA    | TAP SCREW         | M3 x 8mm(x4)    |  |
|   | 16         | QYSBSG3008ZA    | TAP SCREW         | M3 x 8mm(x3)    |  |
|   | 17         | LV10873-002A    | CHASSIS BASE      |                 |  |
|   | 18         | LV10458-004A    | FRONT BRACKET     |                 |  |
|   | 19         | QYSDSG3008ZA    | TAP SCREW         | M3 x 8mm(x7)    |  |
|   | 20         | QYSDSG3008ZA    | TAP SCREW         | M3 x 8mm        |  |
|   | 21         | LV43304-001A    | BKT(PHONES)       |                 |  |
|   | 22         | QYSBSG3008ZA    | TAP SCREW         | M3 x 8mm        |  |
|   | 23         | VKZ4150-001     | SPECIAL NUT       |                 |  |
|   | 24         | E68587-223SM    | CB BKT            | (x4)            |  |
|   | 25         | QYSBST3006ZA    | TAP SCREW         | M3 x 6mm(x4)    |  |
|   | 26         | QZF6018-001     | FOOT              | 60mm x 18mm(x2) | 5060BJ,5060BC,5060BE                     |
|   | 26         | QZF6018-003     | FOOT              | 60mm x 18mm(x2) | 5062SE,5062SB,5062SEN,5062SEV            |
|   | 27         | E47227-036      | FOOT              | (x2)            |  |
|   | 28         | QYSBST3010ZA    | TAP SCREW         | M3 x 10mm(x4)   |  |
|   | 29         | LV20916-003A    | HEAT SINK         |                 |  |
|   | 30         | QYSBSG3012ZA    | TAP SCREW         | M3 x 12mm(x3)   |  |
|   | 31         | LV34704-001A    | PACK BRACKET      |                 |  |
|   | 32         | LV34705-001A    | H.S BRACKET(L)    |                 |  |
|   | 33         | LV34706-001A    | H.S BRACKET(R)    |                 |  |
|   | 34         | QYSBSG3008ZA    | TAP SCREW         | M3 x 8mm(x4)    |  |
|   | 35         | QYSBST3006ZA    | TAP SCREW         | M3 x 6mm(x2)    |  |
|   | 36         | QYSBSG3008ZA    | TAP SCREW         | M3 x 8mm(x2)    |  |
|   | 37         | QYSBST3006ZA    | TAP SCREW         | M3 x 6mm(x2)    |  |
|   | 38         | QYSBSG3008ZA    | TAP SCREW         | M3 x 8mm        |  |
|   | 39         | E65923-009      | TAPPING SCREW     |                 |  |
|   | 40         | E65923-009      | TAPPING SCREW     |                 |  |
|   | 41         | QYSBSG3008ZA    | TAP SCREW         | M3 x 8mm(x4)    |  |
|   | 42         | QYSBSG3008ZA    | TAP SCREW         | M3 x 8mm(x3)    |  |
|   | 43         | QYSBSG3008ZA    | TAP SCREW         | M3 x 8mm        |  |
| △ | 44         | QQT0518-001     | POWER TRANSF      |                 | 5060BJ,5060BC                            |
| △ | 44         | QQT0518-002     | POWER TRANSF      |                 | 5060BE,5062SE,5062SB,5062SEN<br>,5062SEV |
|   | 45         | QYSDSTL4008ZA   | TAP SCREW         | M4 x 8mm(x4)    |  |
|   | 46         | LV20915-0B5A    | REAR PANEL        |                 | 5060BJ,5060BC                            |
|   | 46         | LV20915-0B6A    | REAR PANEL        |                 | 5060BE                                   |
|   | 46         | LV20915-0B7A    | REAR PANEL        |                 | 5062SE,5062SB,5062SEN                    |
|   | 46         | LV20915-0B8A    | REAR PANEL        |                 | 5062SEV                                  |
|   | 47         | QYSBSGY3008EA   | TAP SCREW         | M3 x 8mm(x3)    |  |
|   | 48         | QYSBSGY3008EA   | TAP SCREW         | M3 x 8mm        |  |
|   | 49         | QYSBSGY3008EA   | TAP SCREW         | M3 x 8mm(x2)    |  |
|   | 50         | QYSBSGY3008EA   | TAP SCREW         | M3 x 8mm(x4)    |  |
|   | 51         | QYSBSGY3008EA   | TAP SCREW         | M3 x 8mm(x2)    |  |
|   | 52         | QYSBSGY3008EA   | TAP SCREW         | M3 x 8mm(x2)    |  |
|   | 53         | QYSBSGY3008EA   | TAP SCREW         | M3 x 8mm(x3)    |  |
|   | 54         | QYSBSGY3008EA   | TAP SCREW         | M3 x 8mm        | 5060BJ,5060BC                            |
|   | 55         | QYSBSGY3008EA   | TAP SCREW         | M3 x 8mm(x2)    |  |
| △ | 56         | QMPD420-200-JV  | POWER CORD(US/CA) | 2m BLACK        | 5060BJ,5060BC                            |
| △ | 56         | QMPK250-205-JV  | POWER CORD(US/CA) | 2.05m BLACK     | 5060BE,5062SE,5062SEN,5062SEV            |
| △ | 56         | QMPN100-200-JD  | POWER CORD(US/CA) | 2m BLACK        | 5062SB                                   |
| △ | 57         | QZW0033-001     | STRAIN RELIEF     |                 |  |

| △ | Symbol No. | Part No.       | Part Name     | Description  | Local                                    |
|---|------------|----------------|---------------|--------------|--|
|   | 58         | LV30225-0H3A   | SPACER        | (x2)         |  |
|   | 59         | LV21649-005A   | TOP COVER     |              | 5060BJ,5060BC,5060BE                     |
|   | 59         | LV21649-006A   | TOP COVER     |              | 5062SE,5062SB,5062SEN,5062SEV            |
|   | 60         | QYSBSGY3008EA  | TAP SCREW     | M3 x 8mm(x3) |  |
|   | 61         | E406308-006    | SPECIAL SCREW | (x4)         | 5060BJ,5060BC,5060BE                     |
|   | 61         | E406308-007    | SPECIAL SCREW | (x4)         | 5062SE,5062SB,5062SEN,5062SEV            |
|   | 62         | LV43463-001A   | VOL KNOB ASSY |              | 5060BJ,5060BC,5060BE                     |
|   | 62         | LV43463-002A   | VOL KNO ASSY  |              | 5062SE,5062SB,5062SEN,5062SEV            |
|   | 63         | LV43458-001A   | JOG KNOB ASSY |              | 5060BJ,5060BC,5060BE                     |
|   | 63         | LV43458-002A   | JOG KNOB ASSY |              | 5062SE,5062SB,5062SEN,5062SEV            |
|   | 64         | QAU0412-001    | TUNER         |              | 5060BJ,5060BC                            |
|   | 64         | QAU0413-001    | TUNER         |              | 5060BE,5062SE,5062SB,5062SEN,<br>5062SEV |
| △ | 65         | QMF51U1-5R0-J8 | FUSE          | 5A AC125V    | 5060BJ,5060BC                            |
| △ | 65         | QMF51W2-1R6-J8 | FUSE          | 1.6A AC250V  | 5060BE,5062SE,5062SB,5062SEN,<br>5062SEV |
| △ | 66         | QMF51U1-2R0-J8 | FUSE          | 2A AC125V    | 5060BJ,5060BC                            |
| △ | 66         | QMF51W2-2R0-J8 | FUSE          | 2A AC250V    | 5060BE,5062SE,5062SB,5062SEN,<br>5062SEV |
| △ | 67         | QMF51U1-2R0-J8 | FUSE          | 2A AC125V    | 5060BJ,5060BC                            |
| △ | 67         | QMF51W2-2R0-J8 | FUSE          | 2A AC250V    | 5060BE,5062SE,5062SB,5062SEN,<br>5062SEV |
| △ | 68         | QMF51U1-5R0-J8 | FUSE          | 5A AC125V    | 5060BJ,5060BC                            |
| △ | 68         | QMF51W2-5R0-J8 | FUSE          | 5A AC250V    | 5060BE,5062SE,5062SB,5062SEN,<br>5062SEV |
| △ | 69         | QMF51U1-5R0-J8 | FUSE          | 5A AC125V    | 5060BJ,5060BC                            |
| △ | 69         | QMF51W2-5R0-J8 | FUSE          | 5A AC250V    | 5060BE,5062SE,5062SB,5062SEN,<br>5062SEV |
| △ | 70         | QMF5AE2-R10-J1 | FUSE          | 0.1A AC250V  | 5060BE,5062SE,5062SB,5062SEN,<br>5062SEV |
|   | 71         | QYSBSG3008EA   | TAP SCREW     | M3 x 8mm     |  |
|   | 72         | QYSBSG3008EA   | TAP SCREW     | M3 x 8mm     |  |
|   | 73         | QYSBSG3008EA   | TAP SCREW     | M3 x 8mm     |  |
|   | 74         | QYSBSG3008EA   | TAP SCREW     | M3 x 8mm(x2) |  |
|   | 75         | QYSBSG3008EA   | TAP SCREW     | M3 x 8mm     |  |
|   | 76         | LV42388-001A   | FUSE CAUTION  | (x2)         | 5060BJ,5060BC                            |
|   | 77         | LV30225-0S7A   | SPACER        | (x2)         |  |
|   | 78         | E307572-001    | FASTENER      |              | 5060BE,5062SE,5062SB,5062SEN,<br>5062SEV |
|   | 79         | E409396-003    | CAUTION LABEL |              |  |
|   | 80         | LV30077-004A   | PROTECT SHEET |              | 5060BE                                   |
|   | 80         | LV30077-006A   | PROTECT SHEET |              | 5062SE,5062SB,5062SEN,5062SEV            |

# Electrical parts list

## Main board

| Block No. [0][1] |                 |                 |               |  |
|------------------|-----------------|-----------------|---------------|--|
| △ Symbol No.     | Part No.        | Part Name       | Description   | Local  |
| PW903            | QUB220-19DMHP-E | SIN TWIST WIRE  |               |  |
| IC501            | NJM2246D        | IC              |               |  |
| Q202             | KRC105M-T       | DIGI TRANSISTOR |               |  |
| △ Q203           | KTC3203/OY/-T   | TRANSISTOR      |               |  |
| Q205             | KTC3200/GLJ-T   | TRANSISTOR      |               |  |
| Q206             | KRC105M-T       | DIGI TRANSISTOR |               |  |
| Q208             | KRC105M-T       | DIGI TRANSISTOR |               |  |
| Q209             | KRC105M-T       | DIGI TRANSISTOR |               |  |
| Q210             | KRC105M-T       | DIGI TRANSISTOR |               |  |
| Q502             | KTC3199/GLJ-T   | TRANSISTOR      |               |  |
| Q503             | KRC101M-T       | TRANSISTOR      |               |  |
| Q505             | KTC3199/GLJ-T   | TRANSISTOR      |               |  |
| △ D201           | PG4003-F21      | DIODE           |               |  |
| △ D202           | 1A3G-T1         | SI DIODE        |               |  |
| △ D203           | PG4003-F21      | DIODE           |               |  |
| △ D204           | 1A3G-T1         | SI DIODE        |               |  |
| △ D206           | 1A3G-T1         | SI DIODE        |               |  |
| △ D207           | 1A3G-T1         | SI DIODE        |               |  |
| △ D208           | 1A3G-T1         | SI DIODE        |               |  |
| △ D209           | 1A3G-T1         | SI DIODE        |               |  |
| D210             | 1SS133-T2       | DIODE           |               |  |
| D211             | MTZJ6.8C-T2     | Z DIODE I/M     |               |  |
| D212             | 1A3G-T1         | SI DIODE        |               |  |
| D217             | MTZJ8.2C-T2     | Z DIODE         |               |  |
| D218             | 1SS133-T2       | DIODE           |               |  |
| D219             | 1A3G-T1         | SI DIODE        |               |  |
| D220             | 1A3G-T1         | SI DIODE        |               |  |
| D221             | 1SS133-T2       | DIODE           |               |  |
| C201             | QFLC2AJ-104Z    | M CAPACITOR     | 0.1uF 100V J  |  |
| C202             | QFLC2AJ-104Z    | M CAPACITOR     | 0.1uF 100V J  |  |
| C203             | QFLC2AJ-104Z    | M CAPACITOR     | 0.1uF 100V J  |  |
| C204             | QETM1VM-228     | E CAPACITOR     | 2200uF 35V M  |  |
| C205             | QETM1VM-108     | E CAPACITOR     | 1000uF 35V M  |  |
| C206             | QFLC1HJ-473Z    | M CAPACITOR     | 0.047uF 50V J |  |
| C207             | QFLC1HJ-473Z    | M CAPACITOR     | 0.047uF 50V J |  |
| C208             | QFLC2AJ-472Z    | M CAPACITOR     | 4700pF 100V J |  |
| C209             | QETN1EM-477Z    | E CAPACITOR     | 470uF 25V M   |  |
| △ C210           | QCZ9104-472     | C CAPACITOR     | 4700pF        |  |
| C212             | QETN1CM-477Z    | E CAPACITOR     | 470uF 16V M   |  |
| C213             | QETN0JM-228Z    | E CAPACITOR     | 2200uF 6.3V M |  |
| C218             | QETN1HM-105Z    | E CAPACITOR     | 1uF 50V M     |  |
| C221             | QCBB1HK-471Y    | C CAPACITOR     | 470pF 50V K   | 5060BE,<br>5062SE,<br>5062SB,<br>5062SE<br>N,5062S<br>EV |
| C501             | QEKC1HM-475Z    | E CAPACITOR     | 4.7uF 50V M   |  |
| C503             | QETN1AM-477Z    | E CAPACITOR     | 470uF 10V M   |  |
| C505             | QEKC1HM-475Z    | E CAPACITOR     | 4.7uF 50V M   |  |
| C506             | QETN1AM-477Z    | E CAPACITOR     | 470uF 10V M   |  |
| C508             | QEKC1HM-475Z    | E CAPACITOR     | 4.7uF 50V M   |  |
| C511             | QETN1CM-227Z    | E CAPACITOR     | 220uF 16V M   |  |
| C512             | QCBB1HK-223Y    | C CAPACITOR     | 0.022uF 50V K |  |
| C513             | QCSB1HJ-390Y    | C CAPACITOR     | 39pF 50V J    | 5060BE,<br>5062SE,<br>5062SB,<br>5062SE<br>N,5062S<br>EV |
| C514             | QCSB1HJ-390Y    | C CAPACITOR     | 39pF 50V J    | 5060BE,<br>5062SE,<br>5062SB,<br>5062SE<br>N,5062S<br>EV |
| C515             | QCSB1HJ-390Y    | C CAPACITOR     | 39pF 50V J    | 5060BE,<br>5062SE,<br>5062SB,<br>5062SE<br>N,5062S<br>EV |
| C521             | QCBB1HK-221Y    | C CAPACITOR     | 220pF 50V K   | 5060BJ,<br>5060BC  |
| C522             | QCZ0202-155Z    | C CAPACITOR     | 1.5uF 25V Z   | 5060BJ,<br>5060BC  |

| △ Symbol No. | Part No.       | Part Name      | Description  | Local  |
|--------------|----------------|----------------|--------------|--|
| C901         | QCSB1HJ-470Y   | C CAPACITOR    | 47pF 50V J   |  |
| C903         | QCBB1HK-331Y   | C CAPACITOR    | 330pF 50V K  |  |
| C904         | QCBB1HK-331Y   | C CAPACITOR    | 330pF 50V K  |  |
| C905         | QCFB1HZ-104Y   | C CAPACITOR    | 0.1uF 50V Z  |  |
| △ R1         | QRZ9037-335    | COMP RESISTOR  | 3.3MΩ 1/2W K | 5060BJ,<br>5060BC  |
| △ R201       | QRJ146J-4R7X   | UNF C RESISTOR | 4.7Ω 1/4W J  |  |
| △ R204       | QRJ146J-821X   | UNF C RESISTOR | 820Ω 1/4W J  |  |
| △ R208       | QRJ146J-100X   | UNF C RESISTOR | 10Ω 1/4W J   |  |
| R209         | QRE141J-104Y   | C RESISTOR     | 100kΩ 1/4W J |  |
| △ R210       | QRK126J-121X   | UNF C RESISTOR | 120Ω 1/2W J  |  |
| △ R221       | QRJ146J-100X   | UNF C RESISTOR | 10Ω 1/4W J   |  |
| R501         | QRE141J-331Y   | C RESISTOR     | 330Ω 1/4W J  |  |
| R502         | QRE141J-750Y   | C RESISTOR     | 75Ω 1/4W J   |  |
| R505         | QRE141J-750Y   | C RESISTOR     | 75Ω 1/4W J   |  |
| R506         | QRE141J-473Y   | C RESISTOR     | 47kΩ 1/4W J  |  |
| R507         | QRE141J-331Y   | C RESISTOR     | 330Ω 1/4W J  |  |
| R508         | QRE141J-750Y   | C RESISTOR     | 75Ω 1/4W J   |  |
| R509         | QRE141J-750Y   | C RESISTOR     | 75Ω 1/4W J   |  |
| R510         | QRE141J-473Y   | C RESISTOR     | 47kΩ 1/4W J  |  |
| R511         | QRE141J-331Y   | C RESISTOR     | 330Ω 1/4W J  |  |
| R512         | QRE141J-131Y   | C RESISTOR     | 130Ω 1/4W J  |  |
| R513         | QRE141J-751Y   | C RESISTOR     | 750Ω 1/4W J  |  |
| R515         | QRE141J-131Y   | C RESISTOR     | 130Ω 1/4W J  |  |
| R521         | QRE141J-221Y   | C RESISTOR     | 220Ω 1/4W J  | 5060BJ,<br>5060BC  |
| R522         | QRE141J-471Y   | C RESISTOR     | 470Ω 1/4W J  | 5060BJ,<br>5060BC  |
| R901         | QRE141J-750Y   | C RESISTOR     | 75Ω 1/4W J   |  |
| R903         | QRE141J-471Y   | C RESISTOR     | 470Ω 1/4W J  |  |
| R903         | QRE141J-561Y   | C RESISTOR     | 560Ω 1/4W J  | 5060BE,<br>5062SE,<br>5062SB,<br>5062SE<br>N,5062S<br>EV |
| R904         | QRE141J-471Y   | C RESISTOR     | 470Ω 1/4W J  | 5060BE,<br>5062SE,<br>5062SB,<br>5062SE<br>N,5062S<br>EV |
| R904         | QRE141J-561Y   | C RESISTOR     | 560Ω 1/4W J  | 5060BE,<br>5062SE,<br>5062SB,<br>5062SE<br>N,5062S<br>EV |
| L901         | QQL244K-100Z   | COIL           | 10uH K       |  |
| △ T202       | QQT0478-001    | POWER TRANSF   |              | 5060BJ,<br>5060BC  |
| △ T202       | QQT0478-002    | POWER TRANSF   |              | 5060BE,<br>5062SE,<br>5062SB,<br>5062SE<br>N,5062S<br>EV |
| CN203        | QGD2504C1-04Z  | CONNECTOR      | (1-4)        |  |
| CN241        | QGD2504C1-05Z  | CONNECTOR      | (1-5)        |  |
| CN251        | QGA3901F2-05   | CONNECTOR      | W-B (1-5)    |  |
| CN291        | QGB2510J1-04   | CONNECTOR      | B-B (1-4)    |  |
| CN292        | QGB2510K1-04   | CONNECTOR      | B-B (1-4)    |  |
| CN492        | QGB2510K1-04   | CONNECTOR      | B-B (1-4)    |  |
| CN501        | QGB2510K1-06   | CONNECTOR      | B-B (1-6)    |  |
| CN504        | QGA2501F1-02   | CONNECTOR      | W-B (1-2)    |  |
| CN904        | WJP0080-001A-E | SIN TWIST WIRE |              |  |
| EP1          | E409182-001SM  | GRAND TERMINAL |              |  |
| EP201        | QNZ0136-001Z   | IM EARTH PLATE |              |  |
| FC211        | QNG0020-001Z   | FUSE CLIP I.M  |              |  |
| FC212        | QNG0020-001Z   | FUSE CLIP I.M  |              |  |
| FC221        | QNG0020-001Z   | FUSE CLIP I.M  |              |  |
| FC222        | QNG0020-001Z   | FUSE CLIP I.M  |              |  |
| FC231        | QNG0020-001Z   | FUSE CLIP I.M  |              |  |
| FC232        | QNG0020-001Z   | FUSE CLIP I.M  |              |  |
| FC251        | QNG0020-001Z   | FUSE CLIP I.M  |              | 5060BE,<br>5062SE,<br>5062SB,<br>5062SE<br>N,5062S<br>EV |
| FC252        | QNG0020-001Z   | FUSE CLIP I.M  |              | 5060BE,<br>5062SE,<br>5062SB,<br>5062SE<br>N,5062S<br>EV |
| FC261        | QNG0020-001Z   | FUSE CLIP I.M  |              | 5060BJ,<br>5060BC  |
| FC262        | QNG0020-001Z   | FUSE CLIP I.M  |              | 5060BJ,<br>5060BC  |
| FC271        | QNG0020-001Z   | FUSE CLIP I.M  |              | 5060BJ,<br>5060BC  |



| △ Symbol No. | Part No.        | Part Name       | Description | Local             | △ Symbol No. | Part No.     | Part Name   | Description | Local  |
|--------------|-----------------|-----------------|-------------|-------------------|--------------|--------------|-------------|-------------|--|
| FC272        | QNG0020-001Z    | FUSE CLIP I.M   |             |                   |              |              |             |             | 5060BE,<br>5062SE,<br>5062SB,<br>5062SE<br>N,5062S<br>EV |
| FW201        | QUM215-14Z3Z-E  | PARA RIBON WIRE |             |                   | C421         | QCBB1HK-331Y | C CAPACITOR | 330pF 50V K |  |
| FW251        | QUM213-08DGZ3-E | PARA RIBON WIRE |             |                   |              |              |             |             |  |
| J501         | QNN0011-001     | PIN JACK        |             |                   |              |              |             |             |  |
| J502         | QNN0011-001     | PIN JACK        |             |                   |              |              |             |             |  |
| J521         | QNS0089-001     | 3.5 JACK        |             | 5060BJ,<br>5060BC | C422         | QCBB1HK-331Y | C CAPACITOR | 330pF 50V K | 5060BE,<br>5062SE,<br>5062SB,<br>5062SE<br>N,5062S<br>EV |
| J901         | QNN0772-001     | PINJACK         |             |                   |              |              |             |             |  |
| K901         | QQR1183-001Z    | FERRITE BEADS   |             | 5060BJ,<br>5060BC |              |              |             |             |  |
| △ RY202      | QSK0128-001     | RELAY           |             |                   | C423         | QCBB1HK-331Y | C CAPACITOR | 330pF 50V K | 5060BE,<br>5062SE,<br>5062SB,<br>5062SE<br>N,5062S<br>EV |
| △ RY203      | QSK0127-001     | RELAY           |             |                   |              |              |             |             |  |
| TA201        | QNZ0079-001Z    | TAB I.M         |             |                   |              |              |             |             |  |
| TA202        | QNZ0079-001Z    | TAB I.M         |             |                   | C424         | QCBB1HK-331Y | C CAPACITOR | 330pF 50V K | 5060BE,<br>5062SE,<br>5062SB,<br>5062SE<br>N,5062S<br>EV |

## Amplifier board

Block No. [0][2]

| △ Symbol No. | Part No.        | Part Name      | Description   | Local  | △ Symbol No. | Part No.     | Part Name      | Description  | Local  |
|--------------|-----------------|----------------|---------------|--|--------------|--------------|----------------|--------------|--|
| PW401        | QUB220-12DMHP-E | SIN TWIST WIRE |               |  | C425         | QCBB1HK-331Y | C CAPACITOR    | 330pF 50V K  | 5060BE,<br>5062SE,<br>5062SB,<br>5062SE<br>N,5062S<br>EV |
| △ IC101      | STK412-400      | IC             |               |  | C426         | QCBB1HK-331Y | C CAPACITOR    | 330pF 50V K  | 5060BE,<br>5062SE,<br>5062SB,<br>5062SE<br>N,5062S<br>EV |
| △ IC102      | STK413-400      | IC             |               |  | C427         | QCBB1HK-221Y | C CAPACITOR    | 220pF 50V K  |  |
| IC402        | BD3841FS-X      | IC             |               |  | C428         | QCBB1HK-221Y | C CAPACITOR    | 220pF 50V K  |  |
| Q1131        | KTC3200/GL/-T   | TRANSISTOR     |               |  | C429         | QCBB1HK-331Y | C CAPACITOR    | 330pF 50V K  | 5060BE,<br>5062SE,<br>5062SB,<br>5062SE<br>N,5062S<br>EV |
| Q1132        | KTC3200/GL/-T   | TRANSISTOR     |               |  |              |              |                |              |  |
| Q1171        | KTC3200/GL/-T   | TRANSISTOR     |               |  |              |              |                |              |  |
| Q1172        | KTA1268/GL/-T   | TRANSISTOR     |               |  |              |              |                |              |  |
| Q1173        | KTC3199/GL/-T   | TRANSISTOR     |               |  | C430         | QCBB1HK-331Y | C CAPACITOR    | 330pF 50V K  | 5060BE,<br>5062SE,<br>5062SB,<br>5062SE<br>N,5062S<br>EV |
| △ Q1175      | KTA1046/Y/      | TRANSISTOR *   |               |  |              |              |                |              |  |
| Q1185        | KTA1268/GL/-T   | TRANSISTOR     |               |  |              |              |                |              |  |
| Q1231        | KTC3200/GL/-T   | TRANSISTOR     |               |  | C431         | QCBB1HK-331Y | C CAPACITOR    | 330pF 50V K  | 5060BE,<br>5062SE,<br>5062SB,<br>5062SE<br>N,5062S<br>EV |
| Q1232        | KTC3200/GL/-T   | TRANSISTOR     |               |  |              |              |                |              |  |
| Q1261        | KTC3200/GL/-T   | TRANSISTOR     |               |  |              |              |                |              |  |
| △ D1101      | UF304G-F82      | DIODE          |               |  |              |              |                |              |  |
| △ D1102      | UF304G-F82      | DIODE          |               |  | C432         | QCBB1HK-331Y | C CAPACITOR    | 330pF 50V K  | 5060BE,<br>5062SE,<br>5062SB,<br>5062SE<br>N,5062S<br>EV |
| △ D1103      | UF304G-F82      | DIODE          |               |  |              |              |                |              |  |
| △ D1104      | UF304G-F82      | DIODE          |               |  |              |              |                |              |  |
| △ D1105      | UF304G-F82      | DIODE          |               |  | C433         | QCBB1HK-221Y | C CAPACITOR    | 220pF 50V K  |  |
| △ D1106      | UF304G-F82      | DIODE          |               |  | C434         | QCBB1HK-221Y | C CAPACITOR    | 220pF 50V K  |  |
| △ D1107      | UF304G-F82      | DIODE          |               |  |              |              |                |              |  |
| △ D1108      | UF304G-F82      | DIODE          |               |  | C435         | QCBB1HK-331Y | C CAPACITOR    | 330pF 50V K  | 5060BE,<br>5062SE,<br>5062SB,<br>5062SE<br>N,5062S<br>EV |
| D1121        | MTZJ15C-T2      | Z DIODE        |               |  |              |              |                |              |  |
| D1122        | MTZJ15C-T2      | Z DIODE        |               |  |              |              |                |              |  |
| D1129        | 1SS133-T2       | DIODE          |               |  |              |              |                |              |  |
| D1130        | 1SS133-T2       | DIODE          |               |  |              |              |                |              |  |
| D1141        | MTZJ36C-T2      | Z DIODE        |               |  | C436         | QCBB1HK-331Y | C CAPACITOR    | 330pF 50V K  | 5060BE,<br>5062SE,<br>5062SB,<br>5062SE<br>N,5062S<br>EV |
| D1171        | 1SS133-T2       | DIODE          |               |  |              |              |                |              |  |
| D1221        | MTZJ15C-T2      | Z DIODE        |               |  | C437         | QCBB1HK-331Y | C CAPACITOR    | 330pF 50V K  |  |
| D1222        | MTZJ15C-T2      | Z DIODE        |               |  | C438         | QCBB1HK-331Y | C CAPACITOR    | 330pF 50V K  |  |
| D1229        | 1SS133-T2       | DIODE          |               |  | C443         | QETN1EM-476Z | E CAPACITOR    | 47uF 25V M   |  |
| D1230        | 1SS133-T2       | DIODE          |               |  | C444         | QETN1EM-476Z | E CAPACITOR    | 47uF 25V M   |  |
| D1261        | 1SS133-T2       | DIODE          |               |  |              |              |                |              |  |
| D1352        | 1SS133-T2       | DIODE          |               |  |              |              |                |              |  |
| D1353        | 1SS133-T2       | DIODE          |               |  | C451         | QCBB1HK-331Y | C CAPACITOR    | 330pF 50V K  | 5060BE,<br>5062SE,<br>5062SB,<br>5062SE<br>N,5062S<br>EV |
| D1354        | 1SS133-T2       | DIODE          |               |  |              |              |                |              |  |
| C101         | QCBB1HK-331Y    | C CAPACITOR    | 330pF 50V K   | 5060BJ,<br>5060BC  | C452         | QCBB1HK-331Y | C CAPACITOR    | 330pF 50V K  | 5060BE,<br>5062SE,<br>5062SB,<br>5062SE<br>N,5062S<br>EV |
| C101         | QDGB1HK-102Y    | C CAPACITOR    | 1000pF 50V K  | 5060BE,<br>5062SE,<br>5062SB,<br>5062SE<br>N,5062S<br>EV |              |              |                |              |  |
| C102         | QCBB1HK-331Y    | C CAPACITOR    | 330pF 50V K   | 5060BJ,<br>5060BC  | C460         | QDGB1HK-102Y | C CAPACITOR    | 1000pF 50V K | 5060BE,<br>5062SE,<br>5062SB,<br>5062SE<br>N,5062S<br>EV |
| C102         | QDGB1HK-102Y    | C CAPACITOR    | 1000pF 50V K  | 5060BE,<br>5062SE,<br>5062SB,<br>5062SE<br>N,5062S<br>EV | C1101        | QFLC1HJ-471Z | M CAPACITOR    | 470pF 50V J  |  |
| C418         | QCBB1HK-561Y    | C CAPACITOR    | 560pF 50V K   |  | C1102        | QFLC1HJ-471Z | M CAPACITOR    | 470pF 50V J  |  |
| C419         | QCBB1HK-223Y    | C CAPACITOR    | 0.022uF 50V K |  | C1103        | QENC1HM-475Z | BP E CAPACITOR | 4.7uF 50V M  |  |
| C420         | QCBB1HK-223Y    | C CAPACITOR    | 0.022uF 50V K |  | C1104        | QENC1HM-475Z | BP E CAPACITOR | 4.7uF 50V M  |  |
|              |                 |                |               |  | C1105        | QETN1AM-227Z | E CAPACITOR    | 220uF 10V M  |  |
|              |                 |                |               |  | C1106        | QETN1AM-227Z | E CAPACITOR    | 220uF 10V M  |  |
|              |                 |                |               |  | C1107        | QCSB1HK-3R3Y | C CAPACITOR    | 3.3pF 50V K  |  |
|              |                 |                |               |  | C1108        | QCSB1HK-3R3Y | C CAPACITOR    | 3.3pF 50V K  |  |

| △ Symbol No. | Part No.     | Part Name      | Description   | Local  | △ Symbol No. | Part No.     | Part Name      | Description   | Local  |
|--------------|--------------|----------------|---------------|--|--------------|--------------|----------------|---------------|--|
| C1111        | QEZ0806-688  | E CAPACITOR    | 6800uF        |  |              |              |                |               | 5060BE,<br>5062SE,<br>5062SB,<br>5062SE<br>N,5062S<br>EV |
| C1112        | QEZ0806-688  | E CAPACITOR    | 6800uF        |  |              |              |                |               |  |
| C1113        | QEZ0805-478  | E CAPACITER    | 4700uF        |  | C1365        | QFLC1HJ-473Z | M CAPACITOR    | 0.047uF 50V J |  |
| C1114        | QEZ0805-478  | E CAPACITER    | 4700uF        |  |              |              |                |               |  |
| C1115        | QFZ9076-104Z | MM CAPACITOR   | 0.1uF         |  |              |              |                |               | 5060BE,<br>5062SE,<br>5062SB,<br>5062SE<br>N,5062S<br>EV |
| C1116        | QFZ9076-104Z | MM CAPACITOR   | 0.1uF         |  | C1366        | QCS32HJ-221Z | C CAPACITOR    | 220pF 500V J  |  |
| C1117        | QFZ9076-104Z | MM CAPACITOR   | 0.1uF         |  |              |              |                |               |  |
| C1118        | QFZ9076-104Z | MM CAPACITOR   | 0.1uF         |  |              |              |                |               |  |
| C1119        | QFZ9076-104Z | MM CAPACITOR   | 0.1uF         |  |              |              |                |               | 5060BE,<br>5062SE,<br>5062SB,<br>5062SE<br>N,5062S<br>EV |
| C1120        | QFZ9076-104Z | MM CAPACITOR   | 0.1uF         |  | C1368        | QCS32HJ-221Z | C CAPACITOR    | 220pF 500V J  |  |
| C1121        | QETN2AM-107Z | E CAPACITOR    | 100uF 100V M  |  |              |              |                |               |  |
| C1122        | QETN2AM-107Z | E CAPACITOR    | 100uF 100V M  |  |              |              |                |               |  |
| C1123        | QCBB1HJ-101Y | C CAPACITOR    | 100pF 50V J   |  |              |              |                |               | 5060BE,<br>5062SE,<br>5062SB,<br>5062SE<br>N,5062S<br>EV |
| C1124        | QCBB1HJ-101Y | C CAPACITOR    | 100pF 50V J   |  | C1369        | QFLC1HJ-473Z | M CAPACITOR    | 0.047uF 50V J |  |
| C1141        | QFLC1HJ-473Z | M CAPACITOR    | 0.047uF 50V J |  |              |              |                |               |  |
| C1142        | QFLC1HJ-473Z | M CAPACITOR    | 0.047uF 50V J |  |              |              |                |               | 5060BE,<br>5062SE,<br>5062SB,<br>5062SE<br>N,5062S<br>EV |
| C1143        | QFLC1HJ-473Z | M CAPACITOR    | 0.047uF 50V J |  |              |              |                |               |  |
| C1144        | QFLC1HJ-473Z | M CAPACITOR    | 0.047uF 50V J |  |              |              |                |               | 5060BE,<br>5062SE,<br>5062SB,<br>5062SE<br>N,5062S<br>EV |
| C1171        | QEKC1EM-106Z | E CAPACITOR    | 10uF 25V M    |  | C1370        | QFLC1HJ-473Z | M CAPACITOR    | 0.047uF 50V J |  |
| C1172        | QEKC1CM-476Z | E CAPACITOR    | 47uF 16V M    |  |              |              |                |               |  |
| C1185        | QETN2AM-106Z | E CAPACITOR    | 10uF 100V M   |  |              |              |                |               | 5060BE,<br>5062SE,<br>5062SB,<br>5062SE<br>N,5062S<br>EV |
| C1191        | QETN1HM-476Z | E CAPACITOR    | 47uF 50V M    |  |              |              |                |               |  |
| C1201        | QFLC1HJ-471Z | M CAPACITOR    | 470pF 50V J   |  | C1371        | QCS32HJ-221Z | C CAPACITOR    | 220pF 500V J  |  |
| C1202        | QFLC1HJ-471Z | M CAPACITOR    | 470pF 50V J   |  |              |              |                |               |  |
| C1203        | QENC1HM-475Z | BP E CAPACITOR | 4.7uF 50V M   |  |              |              |                |               | 5060BE,<br>5062SE,<br>5062SB,<br>5062SE<br>N,5062S<br>EV |
| C1204        | QENC1HM-475Z | BP E CAPACITOR | 4.7uF 50V M   |  | C1372        | QCS32HJ-221Z | C CAPACITOR    | 220pF 500V J  |  |
| C1205        | QETN1CM-107Z | E CAPACITOR    | 100uF 16V M   |  |              |              |                |               |  |
| C1206        | QETN1CM-107Z | E CAPACITOR    | 100uF 16V M   |  |              |              |                |               | 5060BE,<br>5062SE,<br>5062SB,<br>5062SE<br>N,5062S<br>EV |
| C1207        | QCSB1HK-3R3Y | C CAPACITOR    | 3.3pF 50V K   |  |              |              |                |               |  |
| C1208        | QCSB1HK-3R3Y | C CAPACITOR    | 3.3pF 50V K   |  |              |              |                |               | 5060BE,<br>5062SE,<br>5062SB,<br>5062SE<br>N,5062S<br>EV |
| C1221        | QETN2AM-107Z | E CAPACITOR    | 100uF 100V M  |  | C1373        | QCS32HJ-221Z | C CAPACITOR    | 220pF 500V J  |  |
| C1222        | QETN2AM-107Z | E CAPACITOR    | 100uF 100V M  |  |              |              |                |               |  |
| C1223        | QCBB1HJ-101Y | C CAPACITOR    | 100pF 50V J   |  |              |              |                |               | 5060BE,<br>5062SE,<br>5062SB,<br>5062SE<br>N,5062S<br>EV |
| C1224        | QCBB1HJ-101Y | C CAPACITOR    | 100pF 50V J   |  |              |              |                |               |  |
| C1241        | QFLC1HJ-473Z | M CAPACITOR    | 0.047uF 50V J |  | C1374        | QCS32HJ-221Z | C CAPACITOR    | 220pF 500V J  |  |
| C1242        | QFLC1HJ-473Z | M CAPACITOR    | 0.047uF 50V J |  |              |              |                |               |  |
| C1243        | QFLC1HJ-473Z | M CAPACITOR    | 0.047uF 50V J |  |              |              |                |               | 5060BE,<br>5062SE,<br>5062SB,<br>5062SE<br>N,5062S<br>EV |
| C1244        | QFLC1HJ-473Z | M CAPACITOR    | 0.047uF 50V J |  |              |              |                |               |  |
| C1261        | QFLC1HJ-471Z | M CAPACITOR    | 470pF 50V J   |  |              |              |                |               | 5060BE,<br>5062SE,<br>5062SB,<br>5062SE<br>N,5062S<br>EV |
| C1262        | QENC1HM-475Z | BP E CAPACITOR | 4.7uF 50V M   |  | C1375        | QCS32HJ-221Z | C CAPACITOR    | 220pF 500V J  |  |
| C1263        | QETN1CM-107Z | E CAPACITOR    | 100uF 16V M   |  |              |              |                |               |  |
| C1264        | QCSB1HK-3R3Y | C CAPACITOR    | 3.3pF 50V K   |  |              |              |                |               | 5060BE,<br>5062SE,<br>5062SB,<br>5062SE<br>N,5062S<br>EV |
| C1265        | QCBB1HJ-101Y | C CAPACITOR    | 100pF 50V J   |  |              |              |                |               |  |
| C1266        | QFLC1HJ-473Z | M CAPACITOR    | 0.047uF 50V J |  | C1376        | QCS32HJ-221Z | C CAPACITOR    | 220pF 500V J  |  |
| C1267        | QFLC1HJ-473Z | M CAPACITOR    | 0.047uF 50V J |  |              |              |                |               | 5060BE,<br>5062SE,<br>5062SB,<br>5062SE<br>N,5062S<br>EV |
| C1268        | QCBB1HK-223Y | C CAPACITOR    | 0.022uF 50V K | 5060BE,<br>5062SE,<br>5062SB,<br>5062SE<br>N,5062S<br>EV | C1377        | QCS32HJ-221Z | C CAPACITOR    | 220pF 500V J  |  |
| C1333        | QCBB1HK-103Y | C CAPACITOR    | 0.01uF 50V K  |  |              |              |                |               | 5060BE,<br>5062SE,<br>5062SB,<br>5062SE<br>N,5062S<br>EV |
| C1359        | QCS32HJ-221Z | C CAPACITOR    | 220pF 500V J  | 5060BE,<br>5062SE,<br>5062SB,<br>5062SE<br>N,5062S<br>EV | C1378        | QCS32HJ-221Z | C CAPACITOR    | 220pF 500V J  |  |
| C1360        | QCS32HJ-221Z | C CAPACITOR    | 220pF 500V J  | 5060BE,<br>5062SE,<br>5062SB,<br>5062SE<br>N,5062S<br>EV | R101         | QRL027J-471  | OMF RESISTOR   | 470Ω 2W J     |  |
| C1361        | QFLC1HJ-473Z | M CAPACITOR    | 0.047uF 50V J | 5060BE,<br>5062SE,<br>5062SB,<br>5062SE<br>N,5062S<br>EV | R102         | QRL027J-471  | OMF RESISTOR   | 470Ω 2W J     |  |
| C1362        | QFLC1HJ-473Z | M CAPACITOR    | 0.047uF 50V J | 5060BE,<br>5062SE,<br>5062SB,<br>5062SE<br>N,5062S<br>EV | R421         | QRE141J-471Y | C RESISTOR     | 470Ω 1/4W J   |  |
| C1363        | QCS32HJ-221Z | C CAPACITOR    | 220pF 500V J  | 5060BE,<br>5062SE,<br>5062SB,<br>5062SE<br>N,5062S<br>EV | R422         | QRE141J-471Y | C RESISTOR     | 470Ω 1/4W J   |  |
| C1364        | QCS32HJ-221Z | C CAPACITOR    | 220pF 500V J  | 5060BE,<br>5062SE,<br>5062SB,<br>5062SE<br>N,5062S<br>EV | R423         | QRE141J-471Y | C RESISTOR     | 470Ω 1/4W J   |  |
|              |              |                |               |  | R424         | QRE141J-471Y | C RESISTOR     | 470Ω 1/4W J   |  |
|              |              |                |               |  | R425         | QRE141J-471Y | C RESISTOR     | 470Ω 1/4W J   |  |
|              |              |                |               |  | R426         | QRE141J-471Y | C RESISTOR     | 470Ω 1/4W J   |  |
|              |              |                |               |  | R429         | QRE141J-471Y | C RESISTOR     | 470Ω 1/4W J   |  |
|              |              |                |               |  | R430         | QRE141J-471Y | C RESISTOR     | 470Ω 1/4W J   |  |
|              |              |                |               |  | R431         | QRE141J-471Y | C RESISTOR     | 470Ω 1/4W J   |  |
|              |              |                |               |  | R432         | QRE141J-471Y | C RESISTOR     | 470Ω 1/4W J   |  |
|              |              |                |               |  | R435         | QRE141J-471Y | C RESISTOR     | 470Ω 1/4W J   |  |
|              |              |                |               |  | R436         | QRE141J-471Y | C RESISTOR     | 470Ω 1/4W J   |  |
|              |              |                |               |  | R440         | QRE141J-102Y | C RESISTOR     | 1kΩ 1/4W J    |  |
|              |              |                |               |  | R441         | QRE141J-102Y | C RESISTOR     | 1kΩ 1/4W J    |  |
|              |              |                |               |  | R445         | QRE141J-104Y | C RESISTOR     | 100kΩ 1/4W J  |  |
|              |              |                |               |  | R446         | QRE141J-104Y | C RESISTOR     | 100kΩ 1/4W J  |  |
|              |              |                |               |  | R447         | QRJ146J-2R2X | UNF C RESISTOR | 2.2Ω 1/4W J   |  |
|              |              |                |               |  | R448         | QRJ146J-2R2X | UNF C RESISTOR | 2.2Ω 1/4W J   |  |
|              |              |                |               |  | R451         | QRE141J-471Y | C RESISTOR     | 470Ω 1/4W J   |  |
|              |              |                |               |  | R452         | QRE141J-471Y | C RESISTOR     | 470Ω 1/4W J   |  |
|              |              |                |               |  | R471         | QRE141J-473Y | C RESISTOR     | 47kΩ 1/4W J   |  |

| △ Symbol No. | Part No.     | Part Name      | Description  | Local | △ Symbol No. | Part No.        | Part Name       | Description | Local   |
|--------------|--------------|----------------|--------------|-------|--------------|-----------------|-----------------|-------------|---|
| R472         | QRE141J-473Y | C RESISTOR     | 47kΩ 1/4W J  |       | △ R1235      | QRJ146J-2R2X    | UNF C RESISTOR  | 2.2Ω 1/4W J |   |
| R473         | QRE141J-473Y | C RESISTOR     | 47kΩ 1/4W J  |       | △ R1236      | QRJ146J-2R2X    | UNF C RESISTOR  | 2.2Ω 1/4W J |   |
| R474         | QRE141J-473Y | C RESISTOR     | 47kΩ 1/4W J  |       | △ R1237      | QRJ146J-2R2X    | UNF C RESISTOR  | 2.2Ω 1/4W J |   |
| R475         | QRE141J-473Y | C RESISTOR     | 47kΩ 1/4W J  |       | R1241        | QRJ146J-330X    | UNF C RESISTOR  | 33Ω 1/4W J  |   |
| R476         | QRE141J-473Y | C RESISTOR     | 47kΩ 1/4W J  |       | R1242        | QRJ146J-330X    | UNF C RESISTOR  | 33Ω 1/4W J  |   |
| R477         | QRE141J-473Y | C RESISTOR     | 47kΩ 1/4W J  |       | △ R1243      | QRL027J-100     | OMF RESISTOR    | 10Ω 2W J    |   |
| R478         | QRE141J-473Y | C RESISTOR     | 47kΩ 1/4W J  |       | △ R1244      | QRL027J-100     | OMF RESISTOR    | 10Ω 2W J    |   |
| R479         | QRE141J-473Y | C RESISTOR     | 47kΩ 1/4W J  |       | R1261        | QRE141J-102Y    | C RESISTOR      | 1kΩ 1/4W J  |   |
| R480         | QRE141J-473Y | C RESISTOR     | 47kΩ 1/4W J  |       | R1262        | QRE141J-623Y    | C RESISTOR      | 62kΩ 1/4W J |   |
| R481         | QRE141J-473Y | C RESISTOR     | 47kΩ 1/4W J  |       | △ R1263      | QRJ146J-301X    | UNF C RESISTOR  | 300Ω 1/4W J |   |
| R482         | QRE141J-473Y | C RESISTOR     | 47kΩ 1/4W J  |       | R1264        | QRE141J-623Y    | C RESISTOR      | 62kΩ 1/4W J |   |
| R1101        | QRE141J-102Y | C RESISTOR     | 1kΩ 1/4W J   |       | △ R1265      | QRZ0224-R22     | EMIT.RESISTOR   | 0.22Ω       |   |
| R1102        | QRE141J-102Y | C RESISTOR     | 1kΩ 1/4W J   |       | R1266        | QRE141J-102Y    | C RESISTOR      | 1kΩ 1/4W J  |   |
| R1103        | QRE141J-104Y | C RESISTOR     | 100kΩ 1/4W J |       | R1267        | QRE141J-183Y    | C RESISTOR      | 18kΩ 1/4W J |   |
| R1104        | QRE141J-104Y | C RESISTOR     | 100kΩ 1/4W J |       | R1268        | QRE141J-473Y    | C RESISTOR      | 47kΩ 1/4W J |   |
| △ R1105      | QRJ146J-751X | UNF C RESISTOR | 750Ω 1/4W J  |       | R1269        | QRJ146J-330X    | UNF C RESISTOR  | 33Ω 1/4W J  |   |
| △ R1106      | QRJ146J-751X | UNF C RESISTOR | 750Ω 1/4W J  |       | △ R1270      | QRL027J-100     | OMF RESISTOR    | 10Ω 2W J    |   |
| R1107        | QRE141J-104Y | C RESISTOR     | 100kΩ 1/4W J |       | △ R1352      | QRK126J-121X    | UNF C RESISTOR  | 120Ω 1/2W J |   |
| R1108        | QRE141J-104Y | C RESISTOR     | 100kΩ 1/4W J |       | △ R1353      | QRK126J-121X    | UNF C RESISTOR  | 120Ω 1/2W J |   |
| R1109        | QRE141J-333Y | C RESISTOR     | 33kΩ 1/4W J  |       | △ R1354      | QRK126J-121X    | UNF C RESISTOR  | 120Ω 1/2W J |   |
| △ R1121      | QRJ146J-471X | UNF C RESISTOR | 470Ω 1/4W J  |       |              |                 |                 |             | 5060BE,<br>5062SE,<br>5062SB,<br>5062SE,<br>N,5062S<br>EV |
| △ R1122      | QRJ146J-471X | UNF C RESISTOR | 470Ω 1/4W J  |       | △ R1370      | QRJ146J-3R9X    | UNF C RESISTOR  | 3.9Ω 1/4W J |   |
| △ R1123      | QRL017J-152  | OMF RESISTOR   | 1.5kΩ 1W J   |       |              |                 |                 |             | 5060BE,<br>5062SE,<br>5062SB,<br>5062SE,<br>N,5062S<br>EV |
| △ R1124      | QRL017J-152  | OMF RESISTOR   | 1.5kΩ 1W J   |       |              |                 |                 |             | 5060BE,<br>5062SE,<br>5062SB,<br>5062SE,<br>N,5062S<br>EV |
| △ R1125      | QRZ0224-R22  | EMIT.RESISTOR  | 0.22Ω        |       | △ R1371      | QRJ146J-3R9X    | UNF C RESISTOR  | 3.9Ω 1/4W J |   |
| △ R1126      | QRZ0224-R22  | EMIT.RESISTOR  | 0.22Ω        |       |              |                 |                 |             | 5060BE,<br>5062SE,<br>5062SB,<br>5062SE,<br>N,5062S<br>EV |
| R1127        | QRE141J-102Y | C RESISTOR     | 1kΩ 1/4W J   |       |              |                 |                 |             | 5060BE,<br>5062SE,<br>5062SB,<br>5062SE,<br>N,5062S<br>EV |
| R1128        | QRE141J-102Y | C RESISTOR     | 1kΩ 1/4W J   |       | △ R1372      | QRJ146J-3R9X    | UNF C RESISTOR  | 3.9Ω 1/4W J |   |
| R1129        | QRE141J-183Y | C RESISTOR     | 18kΩ 1/4W J  |       |              |                 |                 |             | 5060BE,<br>5062SE,<br>5062SB,<br>5062SE,<br>N,5062S<br>EV |
| R1130        | QRE141J-183Y | C RESISTOR     | 18kΩ 1/4W J  |       | △ R1373      | QRJ146J-3R9X    | UNF C RESISTOR  | 3.9Ω 1/4W J |   |
| R1131        | QRE141J-473Y | C RESISTOR     | 47kΩ 1/4W J  |       |              |                 |                 |             | 5060BE,<br>5062SE,<br>5062SB,<br>5062SE,<br>N,5062S<br>EV |
| R1132        | QRE141J-473Y | C RESISTOR     | 47kΩ 1/4W J  |       | △ R1374      | QRJ146J-3R9X    | UNF C RESISTOR  | 3.9Ω 1/4W J |   |
| △ R1133      | QRJ146J-101X | UNF C RESISTOR | 100Ω 1/4W J  |       |              |                 |                 |             | 5060BE,<br>5062SE,<br>5062SB,<br>5062SE,<br>N,5062S<br>EV |
| △ R1134      | QRJ146J-2R2X | UNF C RESISTOR | 2.2Ω 1/4W J  |       |              |                 |                 |             | 5060BE,<br>5062SE,<br>5062SB,<br>5062SE,<br>N,5062S<br>EV |
| △ R1135      | QRJ146J-2R2X | UNF C RESISTOR | 2.2Ω 1/4W J  |       |              |                 |                 |             | 5060BE,<br>5062SE,<br>5062SB,<br>5062SE,<br>N,5062S<br>EV |
| △ R1136      | QRJ146J-2R2X | UNF C RESISTOR | 2.2Ω 1/4W J  |       |              |                 |                 |             | 5060BE,<br>5062SE,<br>5062SB,<br>5062SE,<br>N,5062S<br>EV |
| △ R1137      | QRJ146J-2R2X | UNF C RESISTOR | 2.2Ω 1/4W J  |       |              |                 |                 |             | 5060BE,<br>5062SE,<br>5062SB,<br>5062SE,<br>N,5062S<br>EV |
| R1141        | QRJ146J-330X | UNF C RESISTOR | 33Ω 1/4W J   |       |              |                 |                 |             | 5060BE,<br>5062SE,<br>5062SB,<br>5062SE,<br>N,5062S<br>EV |
| R1142        | QRJ146J-330X | UNF C RESISTOR | 33Ω 1/4W J   |       |              |                 |                 |             | 5060BE,<br>5062SE,<br>5062SB,<br>5062SE,<br>N,5062S<br>EV |
| △ R1143      | QRL027J-100  | OMF RESISTOR   | 10Ω 2W J     |       |              |                 |                 |             | 5060BE,<br>5062SE,<br>5062SB,<br>5062SE,<br>N,5062S<br>EV |
| △ R1144      | QRL027J-100  | OMF RESISTOR   | 10Ω 2W J     |       |              |                 |                 |             | 5060BE,<br>5062SE,<br>5062SB,<br>5062SE,<br>N,5062S<br>EV |
| R1171        | QRE141J-104Y | C RESISTOR     | 100kΩ 1/4W J |       | L1141        | QQLZ005-R45     | COIL            | 0.45uH      |   |
| R1172        | QRE141J-823Y | C RESISTOR     | 82kΩ 1/4W J  |       | L1142        | QQLZ005-R45     | COIL            | 0.45uH      |   |
| R1173        | QRE141J-104Y | C RESISTOR     | 100kΩ 1/4W J |       | L1241        | QQLZ005-R45     | COIL            | 0.45uH      |   |
| R1174        | QRE141J-104Y | C RESISTOR     | 100kΩ 1/4W J |       | L1242        | QQLZ005-R45     | COIL            | 0.45uH      |   |
| R1175        | QRE141J-104Y | C RESISTOR     | 100kΩ 1/4W J |       | L1269        | QQLZ005-R45     | COIL            | 0.45uH      |   |
| R1176        | QRE141J-104Y | C RESISTOR     | 100kΩ 1/4W J |       |              |                 |                 |             | 5060BE,<br>5062SE,<br>5062SB,<br>5062SE,<br>N,5062S<br>EV |
| R1177        | QRE141J-104Y | C RESISTOR     | 100kΩ 1/4W J |       |              |                 |                 |             | 5060BE,<br>5062SE,<br>5062SB,<br>5062SE,<br>N,5062S<br>EV |
| R1178        | QRE141J-103Y | C RESISTOR     | 10kΩ 1/4W J  |       | L1351        | QQLZ005-R45     | COIL            | 0.45uH      |   |
| R1179        | QRE141J-103Y | C RESISTOR     | 10kΩ 1/4W J  |       |              |                 |                 |             | 5060BE,<br>5062SE,<br>5062SB,<br>5062SE,<br>N,5062S<br>EV |
| R1185        | QRE141J-103Y | C RESISTOR     | 10kΩ 1/4W J  |       |              |                 |                 |             | 5060BE,<br>5062SE,<br>5062SB,<br>5062SE,<br>N,5062S<br>EV |
| R1186        | QRE141J-104Y | C RESISTOR     | 100kΩ 1/4W J |       | L1352        | QQLZ005-R45     | COIL            | 0.45uH      |   |
| △ R1191      | QRZ9005-680X | F.RES. I.M     | 68Ω          |       |              |                 |                 |             | 5060BE,<br>5062SE,<br>5062SB,<br>5062SE,<br>N,5062S<br>EV |
| △ R1192      | QRJ146J-562X | UNF C RESISTOR | 5.6kΩ 1/4W J |       |              |                 |                 |             | 5060BE,<br>5062SE,<br>5062SB,<br>5062SE,<br>N,5062S<br>EV |
| R1201        | QRE141J-102Y | C RESISTOR     | 1kΩ 1/4W J   |       |              |                 |                 |             | 5060BE,<br>5062SE,<br>5062SB,<br>5062SE,<br>N,5062S<br>EV |
| R1202        | QRE141J-102Y | C RESISTOR     | 1kΩ 1/4W J   |       | L1353        | QQLZ005-R45     | COIL            | 0.45uH      |   |
| R1203        | QRE141J-104Y | C RESISTOR     | 100kΩ 1/4W J |       |              |                 |                 |             | 5060BE,<br>5062SE,<br>5062SB,<br>5062SE,<br>N,5062S<br>EV |
| R1204        | QRE141J-104Y | C RESISTOR     | 100kΩ 1/4W J |       |              |                 |                 |             | 5060BE,<br>5062SE,<br>5062SB,<br>5062SE,<br>N,5062S<br>EV |
| △ R1205      | QRJ146J-751X | UNF C RESISTOR | 750Ω 1/4W J  |       | L1354        | QQLZ005-R45     | COIL            | 0.45uH      |   |
| △ R1206      | QRJ146J-751X | UNF C RESISTOR | 750Ω 1/4W J  |       |              |                 |                 |             | 5060BE,<br>5062SE,<br>5062SB,<br>5062SE,<br>N,5062S<br>EV |
| R1207        | QRE141J-104Y | C RESISTOR     | 100kΩ 1/4W J |       |              |                 |                 |             | 5060BE,<br>5062SE,<br>5062SB,<br>5062SE,<br>N,5062S<br>EV |
| R1208        | QRE141J-104Y | C RESISTOR     | 100kΩ 1/4W J |       |              |                 |                 |             | 5060BE,<br>5062SE,<br>5062SB,<br>5062SE,<br>N,5062S<br>EV |
| R1209        | QRE141J-333Y | C RESISTOR     | 33kΩ 1/4W J  |       |              |                 |                 |             | 5060BE,<br>5062SE,<br>5062SB,<br>5062SE,<br>N,5062S<br>EV |
| R1210        | QRE141J-101Y | C RESISTOR     | 100Ω 1/4W J  |       |              |                 |                 |             | 5060BE,<br>5062SE,<br>5062SB,<br>5062SE,<br>N,5062S<br>EV |
| △ R1221      | QRJ146J-471X | UNF C RESISTOR | 470Ω 1/4W J  |       | L1355        | QQLZ005-R45     | COIL            | 0.45uH      |   |
| △ R1222      | QRJ146J-471X | UNF C RESISTOR | 470Ω 1/4W J  |       |              |                 |                 |             | 5060BE,<br>5062SE,<br>5062SB,<br>5062SE,<br>N,5062S<br>EV |
| △ R1223      | QRL017J-152  | OMF RESISTOR   | 1.5kΩ 1W J   |       |              |                 |                 |             | 5060BE,<br>5062SE,<br>5062SB,<br>5062SE,<br>N,5062S<br>EV |
| △ R1224      | QRL017J-152  | OMF RESISTOR   | 1.5kΩ 1W J   |       |              |                 |                 |             | 5060BE,<br>5062SE,<br>5062SB,<br>5062SE,<br>N,5062S<br>EV |
| △ R1225      | QRZ0224-R22  | EMIT.RESISTOR  | 0.22Ω        |       |              |                 |                 |             | 5060BE,<br>5062SE,<br>5062SB,<br>5062SE,<br>N,5062S<br>EV |
| △ R1226      | QRZ0224-R22  | EMIT.RESISTOR  | 0.22Ω        |       | CN101        | QGD2504C1-03Z   | CONNECTOR       | (1-3)       |   |
| R1227        | QRE141J-102Y | C RESISTOR     | 1kΩ 1/4W J   |       | CN151        | QJK012-051900-E | WIRE            |             |   |
| R1228        | QRE141J-102Y | C RESISTOR     | 1kΩ 1/4W J   |       | CN171        | QJP001-031801-E | SHI CR C-B WIRE |             |   |
| R1229        | QRE141J-183Y | C RESISTOR     | 18kΩ 1/4W J  |       | CN272        | QJP002-021201-E | SHI CR C-B WIRE |             |   |
| R1230        | QRE141J-183Y | C RESISTOR     | 18kΩ 1/4W J  |       | CN273        | QJP001-031001-E | SHI CR C-B WIRE |             |   |
| R1231        | QRE141J-473Y | C RESISTOR     | 47kΩ 1/4W J  |       | CN401        | QGB2510K1-15    | CONNECTOR       | B-B (1-15)  |   |
| R1232        | QRE141J-473Y | C RESISTOR     | 47kΩ 1/4W J  |       | CN404        | QGA2501F1-03    | CONNECTOR       | W-B (1-3)   |   |
| △ R1233      | QRJ146J-101X | UNF C RESISTOR | 100Ω 1/4W J  |       | CN451        | QGB2510K1-06    | CONNECTOR       | B-B (1-6)   |   |
| △ R1234      | QRJ146J-2R2X | UNF C RESISTOR | 2.2Ω 1/4W J  |       | EP101        | QNZ0136-001Z    | IM EARTH PLATE  |             |   |
|              |              |                |              |       | FW141        | QUM215-16DGZ3-E | WIRE            |             |   |

| △ Symbol No. | Part No.        | Part Name       | Description | Local | △ Symbol No. | Part No.    | Part Name | Description | Local  |
|--------------|-----------------|-----------------|-------------|-------|--------------|-------------|-----------|-------------|--|
| FW301        | QUM215-26Z3Z3-E | PARA RIBON WIRE |             |       | D1404        | MTZJ5.6C-T2 | Z DIODE   |             |  |
| FW302        | QUM216-26Z3Z3-E | PARA RIBON WIRE |             |       | D1405        | MTZJ11A-T2  | Z DIODE   |             |  |
| FW303        | QUM214-26DGZ3-E | PARA RIBON WIRE |             |       | D1407        | MTZJ7.5C-T2 | Z DIODE   |             |  |
| J101         | QNS0249-001     | JACK            |             |       | D1408        | MTZJ7.5C-T2 | Z DIODE   |             |  |
| J402         | QNN0478-001     | PIN JACK        |             |       | D1409        | MA152WK-X   | SI DIODE  |             |  |
| J403         | QNN0478-001     | PIN JACK        |             |       |              |             |           |             | 5060BE,<br>5062SE,<br>5062SB,<br>5062SE<br>N,5062S<br>EV |
| J404         | QNN0389-001     | PIN JACK        |             |       | D1411        | 1SS355W-X   | SI DIODE  |             |  |
| J406         | QNN0480-001     | PIN JACK        |             |       |              |             |           |             |  |
| △ RY302      | QSK0127-001     | RELAY           |             |       | D1412        | 1SS355W-X   | SI DIODE  |             |  |
| △ RY303      | QSK0127-001     | RELAY           |             |       | D1413        | 1SS355W-X   | SI DIODE  |             |  |
| △ RY304      | QSK0127-001     | RELAY           |             |       | D1414        | 1SS355W-X   | SI DIODE  |             |  |
| ST301        | QNB0188-001     | SPEAKER TERMINA |             |       | D1415        | 1SS355W-X   | SI DIODE  |             |  |
| TW301        | QUB230-05DMZ4-E | SIN TWIST WIRE  |             |       |              |             |           |             |  |

## Front board

Block No. [0][3]

| △ Symbol No. | Part No.        | Part Name       | Description | Local  | △ Symbol No. | Part No.     | Part Name      | Description   | Local  |
|--------------|-----------------|-----------------|-------------|--|--------------|--------------|----------------|---------------|--|
| PW502        | QUB220-12DMHP-E | SIN TWIST WIRE  |             | 5060BE,<br>5062SE,<br>5062SB,<br>5062SE<br>N,5062S<br>EV | C701         | QEK0JM-107Z  | E CAPACITOR    | 100uF 6.3V M  |  |
| IC422        | NJM4565M-WE     | IC              |             |  | C702         | QCZ0202-155Z | C CAPACITOR    | 1.5uF 25V Z   |  |
| IC427        | NJM4565M-WE     | IC              |             |  | C703         | QEK1HM-225Z  | E CAPACITOR    | 2.2uF 50V M   |  |
| IC428        | BD3814FV-X      | IC              |             |  | C704         | NCB31CK-223X | C CAPACITOR    | 0.022uF 16V K |  |
| IC701        | MN101C88GPA     | IC              |             | 5060BJ,<br>5060BC  | C705         | QEK0JM-107Z  | E CAPACITOR    | 100uF 6.3V M  |  |
| IC701        | MN101C88GPC     | IC              |             | 5060BE,<br>5062SE,<br>5062SB,<br>5062SE<br>N,5062S<br>EV | C706         | NCB21HK-331X | C CAPACITOR    | 330pF 50V K   | 5060BJ,<br>5060BC  |
| IC702        | IC-PST9139-T    | IC              |             |  | C707         | QEK1HM-475Z  | E CAPACITOR    | 4.7uF 50V M   |  |
| IC703        | GP1UM281XKVF    | IR DETECT UNIT  |             |  | C708         | QEK1HM-475Z  | E CAPACITOR    | 4.7uF 50V M   |  |
| IC704        | BR24L02F-W-X    | IC              |             |  | C709         | QEK1HM-475Z  | E CAPACITOR    | 4.7uF 50V M   |  |
| Q701         | KRC107S-X       | DIGI TRANSISTOR |             |  | C710         | NCB21HK-104X | C CAPACITOR    | 0.1uF 50V K   | 5060BE,<br>5062SE,<br>5062SB,<br>5062SE<br>N,5062S<br>EV |
| Q702         | KRC111S-X       | TRANSISTOR      |             | 5060BJ,<br>5060BC  | C713         | NCB21HK-103X | C CAPACITOR    | 0.01uF 50V K  |  |
| Q703         | KRC109S-X       | TRANSISTOR      |             | 5060BJ,<br>5060BC  | C714         | NCB21HK-103X | C CAPACITOR    | 0.01uF 50V K  |  |
| Q707         | KRC107S-X       | DIGI TRANSISTOR |             |  | C715         | NCB21HK-103X | C CAPACITOR    | 0.01uF 50V K  |  |
| Q708         | KRC107S-X       | DIGI TRANSISTOR |             |  | C716         | NCB21HK-103X | C CAPACITOR    | 0.01uF 50V K  |  |
| Q709         | KRC107S-X       | DIGI TRANSISTOR |             |  | C717         | NCB21HK-103X | C CAPACITOR    | 0.01uF 50V K  |  |
| Q711         | KRA104S-X       | DIGI TRANSISTOR |             |  | C718         | NCB21HK-103X | C CAPACITOR    | 0.01uF 50V K  |  |
| △ Q1401      | KTA1046/Y/      | TRANSISTOR *    |             |  | C719         | NCB21HK-103X | C CAPACITOR    | 0.01uF 50V K  |  |
| △ Q1402      | 2SD2394/EF/     | TRANSISTOR      |             |  | C720         | NCB31CK-104X | C CAPACITOR    | 0.1uF 16V K   |  |
| △ Q1403      | 2SD2394/EF/     | TRANSISTOR      |             |  | C721         | NCB31CK-104X | C CAPACITOR    | 0.1uF 16V K   |  |
| △ Q1404      | 2SD2394/EF/     | TRANSISTOR      |             |  | C722         | QCZ0202-155Z | C CAPACITOR    | 1.5uF 25V Z   |  |
| △ Q1407      | KTC3203/OY/-T   | TRANSISTOR      |             |  | C723         | NCB31CK-104X | C CAPACITOR    | 0.1uF 16V K   |  |
| △ Q1408      | KTA1271/OY/-T   | TRANSISTOR      |             |  | C724         | NCB31CK-104X | C CAPACITOR    | 0.1uF 16V K   |  |
| Q1413        | 2SC3576-JVC-T   | TRANSISTOR      |             |  | C725         | QEK1HM-475Z  | E CAPACITOR    | 4.7uF 50V M   |  |
| Q1414        | 2SC3576-JVC-T   | TRANSISTOR      |             |  | C730         | NCB31CK-104X | C CAPACITOR    | 0.1uF 16V K   |  |
| Q1417        | 2SC3576-JVC-T   | TRANSISTOR      |             |  | C731         | NCB21HK-104X | C CAPACITOR    | 0.1uF 50V K   | 5060BE,<br>5062SE,<br>5062SB,<br>5062SE<br>N,5062S<br>EV |
| Q1418        | 2SC3576-JVC-T   | TRANSISTOR      |             |  | C732         | NCB31CK-104X | C CAPACITOR    | 0.1uF 16V K   |  |
| Q1419        | 2SC3576-JVC-T   | TRANSISTOR      |             |  | C733         | NCB31HK-103X | C CAPACITOR    | 0.01uF 50V K  |  |
| Q1420        | KRA104M-T       | DIGI TRANSISTOR |             |  | C734         | NCB31HK-104X | C CAPACITOR    | 0.1uF 50V K   |  |
| Q1421        | 2SC3576-JVC-T   | TRANSISTOR      |             |  | C735         | NCB31HK-104X | C CAPACITOR    | 0.1uF 50V K   |  |
| Q1422        | 2SC3576-JVC-T   | TRANSISTOR      |             |  | C736         | NCB31HK-104X | C CAPACITOR    | 0.1uF 50V K   |  |
| Q1423        | KRA104M-T       | DIGI TRANSISTOR |             |  | C1401        | QETN1HM-476Z | E CAPACITOR    | 47uF 50V M    |  |
| Q1424        | KRA104M-T       | DIGI TRANSISTOR |             |  | C1402        | QETN1EM-107Z | E CAPACITOR    | 100uF 25V M   |  |
| Q1426        | 2SC3576-JVC-T   | TRANSISTOR      |             |  | C1403        | QETN1EM-107Z | E CAPACITOR    | 100uF 25V M   |  |
| Q1427        | 2SC3576-JVC-T   | TRANSISTOR      |             |  | C1404        | QETN1EM-107Z | E CAPACITOR    | 100uF 25V M   |  |
| Q1428        | 2SC3576-JVC-T   | TRANSISTOR      |             |  | C1405        | QETN1EM-107Z | E CAPACITOR    | 100uF 25V M   |  |
| Q1429        | KRA104M-T       | DIGI TRANSISTOR |             |  | C1406        | QETN1CM-108Z | E CAPACITOR    | 1000uF 16V M  |  |
| △ Q1434      | 2SD2394/EF/     | TRANSISTOR      |             |  | C1408        | QETN1EM-476Z | E CAPACITOR    | 47uF 25V M    |  |
| △ Q1435      | 2SD2394/EF/     | TRANSISTOR      |             |  | C1409        | QETN1EM-476Z | E CAPACITOR    | 47uF 25V M    |  |
| D701         | 1SS355W-X       | SI DIODE        |             |  | C1413        | QEK1HM-475Z  | E CAPACITOR    | 4.7uF 50V M   |  |
| D703         | 1SS355W-X       | SI DIODE        |             |  | C1414        | QEK1HM-475Z  | E CAPACITOR    | 4.7uF 50V M   |  |
| D704         | 1SS355W-X       | SI DIODE        |             |  | C1416        | NCB31CK-223X | C CAPACITOR    | 0.022uF 16V K |  |
| D719         | SLR-343VC/NPQ-T | LED             |             |  | C1417        | NCB31CK-223X | C CAPACITOR    | 0.022uF 16V K |  |
| D1401        | MTZJ11A-T2      | Z DIODE         |             |  | C1422        | QEK1HM-475Z  | E CAPACITOR    | 4.7uF 50V M   |  |
| D1402        | MTZJ6.2C-T2     | Z DIODE         |             |  | C1423        | QEK1HM-475Z  | E CAPACITOR    | 4.7uF 50V M   |  |
| D1403        | MTZJ5.6B-T2     | Z DIODE         |             |  | C1424        | QEK1HM-475Z  | E CAPACITOR    | 4.7uF 50V M   |  |
|              |                 |                 |             |  | C1425        | QEK1EM-106Z  | E CAPACITOR    | 10uF 25V M    |  |
|              |                 |                 |             |  | C1432        | NCB31CK-223X | C CAPACITOR    | 0.022uF 16V K |  |
|              |                 |                 |             |  | C1433        | QEK1EM-106Z  | E CAPACITOR    | 10uF 25V M    |  |
|              |                 |                 |             |  | C1436        | NCB31CK-223X | C CAPACITOR    | 0.022uF 16V K |  |
|              |                 |                 |             |  | C1437        | QCZ0202-155Z | C CAPACITOR    | 1.5uF 25V Z   |  |
|              |                 |                 |             |  | C1447        | QEK1HM-475Z  | E CAPACITOR    | 4.7uF 50V M   |  |
|              |                 |                 |             |  | C1459        | QEK1HM-475Z  | E CAPACITOR    | 4.7uF 50V M   |  |
|              |                 |                 |             |  | C1460        | NCB31CK-223X | C CAPACITOR    | 0.022uF 16V K |  |
|              |                 |                 |             |  | C1461        | NCB31CK-223X | C CAPACITOR    | 0.022uF 16V K |  |
|              |                 |                 |             |  | C1465        | QENC1HM-106Z | BP E CAPACITOR | 10uF 50V M    |  |
|              |                 |                 |             |  | C1480        | QETN1VM-477Z | E CAPACITOR    | 470uF 35V M   |  |

| △ Symbol No. | Part No.     | Part Name   | Description   | Local  | △ Symbol No. | Part No.     | Part Name      | Description   | Local  |
|--------------|--------------|-------------|---------------|--|--------------|--------------|----------------|---------------|--|
| R701         | NRSA63J-472X | MG RESISTOR | 4.7kΩ 1/16W J |  | R783         | NRSA63J-221X | MG RESISTOR    | 220Ω 1/16W J  |  |
| R702         | NRSA63J-223X | MG RESISTOR | 22kΩ 1/16W J  |  | R784         | NRSA63J-221X | MG RESISTOR    | 220Ω 1/16W J  |  |
| R704         | NRSA63J-471X | MG RESISTOR | 470Ω 1/16W J  | 5060BJ,<br>5060BC  | R785         | NRSA63J-221X | MG RESISTOR    | 220Ω 1/16W J  |  |
| R705         | NRSA63J-103X | MG RESISTOR | 10kΩ 1/16W J  |  | R786         | NRSA63J-221X | MG RESISTOR    | 220Ω 1/16W J  |  |
| R706         | NRSA63J-103X | MG RESISTOR | 10kΩ 1/16W J  |  | R787         | NRSA63J-221X | MG RESISTOR    | 220Ω 1/16W J  |  |
| R707         | NRSA63J-0R0X | MG RESISTOR | 0Ω 1/16W J    |  | R788         | NRSA63J-221X | MG RESISTOR    | 220Ω 1/16W J  |  |
| R709         | NRSA63J-103X | MG RESISTOR | 10kΩ 1/16W J  |  | R789         | NRSA63J-103X | MG RESISTOR    | 10kΩ 1/16W J  |  |
| R710         | NRSA63J-103X | MG RESISTOR | 10kΩ 1/16W J  |  | R790         | NRSA63J-103X | MG RESISTOR    | 10kΩ 1/16W J  |  |
| R711         | NRSA63J-104X | MG RESISTOR | 100kΩ 1/16W J |  | R791         | NRSA63J-221X | MG RESISTOR    | 220Ω 1/16W J  |  |
| R712         | NRSA63J-103X | MG RESISTOR | 10kΩ 1/16W J  |  | R792         | NRSA63J-221X | MG RESISTOR    | 220Ω 1/16W J  |  |
| R713         | NRSA63J-103X | MG RESISTOR | 10kΩ 1/16W J  |  |              |              |                |               | 5060BE,<br>5062SE,<br>5062SB,<br>5062SE<br>N,5062S<br>EV |
| R715         | NRSA63J-103X | MG RESISTOR | 10kΩ 1/16W J  |  | R793         | NRSA63J-103X | MG RESISTOR    | 10kΩ 1/16W J  |  |
| R716         | NRSA63J-103X | MG RESISTOR | 10kΩ 1/16W J  |  |              |              |                |               |  |
| R717         | NRSA63J-103X | MG RESISTOR | 10kΩ 1/16W J  |  | R794         | NRSA63J-221X | MG RESISTOR    | 220Ω 1/16W J  |  |
| R718         | NRSA63J-103X | MG RESISTOR | 10kΩ 1/16W J  |  | R795         | NRSA63J-221X | MG RESISTOR    | 220Ω 1/16W J  |  |
| R719         | NRSA63J-221X | MG RESISTOR | 220Ω 1/16W J  |  | R796         | NRSA63J-221X | MG RESISTOR    | 220Ω 1/16W J  |  |
| R721         | NRSA63J-103X | MG RESISTOR | 10kΩ 1/16W J  |  | R797         | NRSA63J-221X | MG RESISTOR    | 220Ω 1/16W J  |  |
| R722         | NRSA63J-102X | MG RESISTOR | 1kΩ 1/16W J   |  | R798         | NRSA63J-221X | MG RESISTOR    | 220Ω 1/16W J  |  |
| R723         | NRSA63J-102X | MG RESISTOR | 1kΩ 1/16W J   |  | R799         | NRSA63J-221X | MG RESISTOR    | 220Ω 1/16W J  |  |
| R724         | NRSA63J-122X | MG RESISTOR | 1.2kΩ 1/16W J |  | R874         | NRSA63J-103X | MG RESISTOR    | 10kΩ 1/16W J  |  |
| R725         | NRSA63J-152X | MG RESISTOR | 1.5kΩ 1/16W J |  | R875         | NRSA63J-103X | MG RESISTOR    | 10kΩ 1/16W J  |  |
| R726         | NRSA63J-222X | MG RESISTOR | 2.2kΩ 1/16W J |  | R876         | NRSA63J-103X | MG RESISTOR    | 10kΩ 1/16W J  |  |
| R727         | NRSA63J-272X | MG RESISTOR | 2.7kΩ 1/16W J |  | R877         | NRSA63J-103X | MG RESISTOR    | 10kΩ 1/16W J  |  |
| R728         | NRSA63J-103X | MG RESISTOR | 10kΩ 1/16W J  |  | R878         | NRSA63J-103X | MG RESISTOR    | 10kΩ 1/16W J  |  |
| R729         | NRSA63J-102X | MG RESISTOR | 1kΩ 1/16W J   |  | R879         | NRSA63J-221X | MG RESISTOR    | 220Ω 1/16W J  |  |
| R730         | NRSA63J-102X | MG RESISTOR | 1kΩ 1/16W J   |  | R880         | NRSA63J-221X | MG RESISTOR    | 220Ω 1/16W J  |  |
| R731         | NRSA63J-122X | MG RESISTOR | 1.2kΩ 1/16W J |  | R881         | NRSA63J-221X | MG RESISTOR    | 220Ω 1/16W J  |  |
| R732         | NRSA63J-152X | MG RESISTOR | 1.5kΩ 1/16W J |  | R882         | NRSA63J-221X | MG RESISTOR    | 220Ω 1/16W J  |  |
| R733         | NRSA63J-222X | MG RESISTOR | 2.2kΩ 1/16W J |  | R883         | NRSA63J-221X | MG RESISTOR    | 220Ω 1/16W J  |  |
| R734         | NRSA63J-272X | MG RESISTOR | 2.7kΩ 1/16W J |  | R884         | NRSA63J-221X | MG RESISTOR    | 220Ω 1/16W J  |  |
| R736         | NRSA63J-103X | MG RESISTOR | 10kΩ 1/16W J  |  | △R1401       | QRZ9005-100X | FUSI RESISTOR  | 10Ω           |  |
| R737         | NRSA63J-102X | MG RESISTOR | 1kΩ 1/16W J   |  | △R1402       | QRJ146J-182X | UNF C RESISTOR | 1.8kΩ 1/4W J  |  |
| R738         | NRSA63J-102X | MG RESISTOR | 1kΩ 1/16W J   |  | △R1403       | QRZ9005-120X | F B RESISTOR   | 12Ω           |  |
| R739         | NRSA63J-122X | MG RESISTOR | 1.2kΩ 1/16W J |  | △R1404       | QRJ146J-272X | UNF C RESISTOR | 2.7kΩ 1/4W J  |  |
| R740         | NRSA63J-152X | MG RESISTOR | 1.5kΩ 1/16W J |  | △R1405       | QRZ9005-120X | F B RESISTOR   | 12Ω           |  |
| R741         | NRSA63J-222X | MG RESISTOR | 2.2kΩ 1/16W J |  | △R1406       | QRK126J-682X | UNF C RESISTOR | 6.8kΩ 1/2W J  |  |
| R742         | NRSA63J-272X | MG RESISTOR | 2.7kΩ 1/16W J |  | △R1407       | QRZ9006-4R7X | FUSI RESISTOR  | 4.7Ω          |  |
| R743         | NRSA63J-103X | MG RESISTOR | 10kΩ 1/16W J  |  | △R1408       | QRZ9006-4R7X | FUSI RESISTOR  | 4.7Ω          |  |
| R744         | NRSA63J-102X | MG RESISTOR | 1kΩ 1/16W J   |  | △R1409       | QRJ146J-272X | UNF C RESISTOR | 2.7kΩ 1/4W J  |  |
| R745         | NRSA63J-102X | MG RESISTOR | 1kΩ 1/16W J   |  | △R1410       | QRZ9006-4R7X | FUSI RESISTOR  | 4.7Ω          |  |
| R746         | NRSA63J-122X | MG RESISTOR | 1.2kΩ 1/16W J |  | △R1411       | QRJ146J-182X | UNF C RESISTOR | 1.8kΩ 1/4W J  |  |
| R747         | NRSA63J-152X | MG RESISTOR | 1.5kΩ 1/16W J |  | △R1412       | QRZ9005-100X | FUSI RESISTOR  | 10Ω           |  |
| R748         | NRSA63J-222X | MG RESISTOR | 2.2kΩ 1/16W J |  | △R1414       | QRZ9005-100X | FUSI RESISTOR  | 10Ω           |  |
| R749         | NRSA63J-272X | MG RESISTOR | 2.7kΩ 1/16W J |  | △R1415       | QRJ146J-222X | UNF C RESISTOR | 2.2kΩ 1/4W J  |  |
| R750         | NRSA63J-103X | MG RESISTOR | 10kΩ 1/16W J  |  | △R1416       | QRZ9005-100X | FUSI RESISTOR  | 10Ω           |  |
| R751         | NRSA63J-102X | MG RESISTOR | 1kΩ 1/16W J   |  | △R1417       | QRJ146J-222X | UNF C RESISTOR | 2.2kΩ 1/4W J  |  |
| R752         | NRSA63J-102X | MG RESISTOR | 1kΩ 1/16W J   |  | △R1418       | QRZ9005-680X | F.RES. I.M     | 68Ω           |  |
| R753         | NRSA63J-122X | MG RESISTOR | 1.2kΩ 1/16W J |  | △R1419       | QRZ9005-680X | F.RES. I.M     | 68Ω           |  |
| R754         | NRSA63J-103X | MG RESISTOR | 10kΩ 1/16W J  |  | R1423        | NRSA63J-102X | MG RESISTOR    | 1kΩ 1/16W J   |  |
| R756         | NRSA63J-103X | MG RESISTOR | 10kΩ 1/16W J  |  | R1424        | NRSA63J-102X | MG RESISTOR    | 1kΩ 1/16W J   |  |
| R757         | NRSA63J-103X | MG RESISTOR | 10kΩ 1/16W J  |  | R1425        | NRSA63J-102X | MG RESISTOR    | 1kΩ 1/16W J   |  |
| R758         | NRSA63J-103X | MG RESISTOR | 10kΩ 1/16W J  |  | R1426        | NRSA63J-102X | MG RESISTOR    | 1kΩ 1/16W J   |  |
| R759         | NRSA63J-103X | MG RESISTOR | 10kΩ 1/16W J  |  |              |              |                |               | 5060BE,<br>5062SE,<br>5062SB,<br>5062SE<br>N,5062S<br>EV |
| R760         | NRSA63J-103X | MG RESISTOR | 10kΩ 1/16W J  |  |              |              |                |               |  |
| R761         | NRSA63J-103X | MG RESISTOR | 10kΩ 1/16W J  |  | R1430        | NRSA63J-102X | MG RESISTOR    | 1kΩ 1/16W J   |  |
| R762         | NRSA63J-102X | MG RESISTOR | 1kΩ 1/16W J   |  |              |              |                |               |  |
|              |              |             |               | 5060BE,<br>5062SE,<br>5062SB,<br>5062SE<br>N,5062S<br>EV |              |              |                |               |  |
| R763         | NRSA63J-102X | MG RESISTOR | 1kΩ 1/16W J   |  | R1432        | NRSA63J-102X | MG RESISTOR    | 1kΩ 1/16W J   |  |
| R768         | NRSA63J-103X | MG RESISTOR | 10kΩ 1/16W J  |  |              |              |                |               | 5060BE,<br>5062SE,<br>5062SB,<br>5062SE<br>N,5062S<br>EV |
| R769         | NRSA63J-102X | MG RESISTOR | 1kΩ 1/16W J   |  | R1435        | NRSA63J-104X | MG RESISTOR    | 100kΩ 1/16W J |  |
| R770         | NRSA63J-102X | MG RESISTOR | 1kΩ 1/16W J   | 5060BC   | R1436        | NRSA63J-104X | MG RESISTOR    | 100kΩ 1/16W J |  |
| R773         | NRSA63J-103X | MG RESISTOR | 10kΩ 1/16W J  |  | R1437        | NRSA63J-102X | MG RESISTOR    | 1kΩ 1/16W J   |  |
| R774         | NRSA63J-103X | MG RESISTOR | 10kΩ 1/16W J  |  | R1438        | NRSA63J-102X | MG RESISTOR    | 1kΩ 1/16W J   |  |
| R775         | NRSA63J-103X | MG RESISTOR | 10kΩ 1/16W J  |  | R1439        | NRSA63J-103X | MG RESISTOR    | 10kΩ 1/16W J  |  |
| R778         | NRSA63J-392X | MG RESISTOR | 3.9kΩ 1/16W J |  | R1440        | NRSA63J-103X | MG RESISTOR    | 10kΩ 1/16W J  |  |
| R779         | NRSA63J-103X | MG RESISTOR | 10kΩ 1/16W J  |  | R1444        | NRSA63J-103X | MG RESISTOR    | 10kΩ 1/16W J  |  |
| R780         | NRSA63J-103X | MG RESISTOR | 10kΩ 1/16W J  |  | R1445        | NRSA63J-102X | MG RESISTOR    | 1kΩ 1/16W J   |  |
|              |              |             |               | 5060BE,<br>5062SE,<br>5062SB,<br>5062SE<br>N,5062S<br>EV | R1446        | NRSA63J-104X | MG RESISTOR    | 100kΩ 1/16W J |  |
| R781         | NRSA63J-221X | MG RESISTOR | 220Ω 1/16W J  |  | R1447        | NRSA63J-102X | MG RESISTOR    | 1kΩ 1/16W J   |  |
|              |              |             |               | 5060BE,<br>5062SE,<br>5062SB,<br>5062SE<br>N,5062S<br>EV | R1448        | NRSA63J-103X | MG RESISTOR    | 10kΩ 1/16W J  |  |
| R782         | NRSA63J-221X | MG RESISTOR | 220Ω 1/16W J  |  | R1449        | NRSA63J-102X | MG RESISTOR    | 1kΩ 1/16W J   |  |
|              |              |             |               | 5060BE,<br>5062SE,<br>5062SB,<br>5062SE<br>N,5062S<br>EV | R1450        | NRSA63J-103X | MG RESISTOR    | 10kΩ 1/16W J  |  |
|              |              |             |               |  | R1451        | NRSA63J-104X | MG RESISTOR    | 100kΩ 1/16W J |  |
|              |              |             |               |  | R1452        | NRSA63J-104X | MG RESISTOR    | 100kΩ 1/16W J |  |
|              |              |             |               |  | R1453        | NRSA63J-102X | MG RESISTOR    | 1kΩ 1/16W J   |  |
|              |              |             |               |  | △R1461       | QRJ146J-2R2X | UNF C RESISTOR | 2.2Ω 1/4W J   |  |

| Symbol No. | Part No.       | Part Name      | Description   | Local |
|------------|----------------|----------------|---------------|-------|
| △ R1462    | QRJ146J-2R2X   | UNF C RESISTOR | 2.2Ω 1/4W J   |       |
| R1464      | NRSA63J-104X   | MG RESISTOR    | 100kΩ 1/16W J |       |
| R1470      | NRSA63J-201X   | MG RESISTOR    | 200Ω 1/16W J  |       |
| R1471      | NRSA63J-201X   | MG RESISTOR    | 200Ω 1/16W J  |       |
| R1472      | NRSA63J-103X   | MG RESISTOR    | 10kΩ 1/16W J  |       |
| R1473      | NRSA63J-103X   | MG RESISTOR    | 10kΩ 1/16W J  |       |
| R1474      | NRSA63J-102X   | MG RESISTOR    | 1kΩ 1/16W J   |       |
| R1475      | NRSA63J-163X   | MG RESISTOR    | 16kΩ 1/16W J  |       |
| R1476      | NRSA63J-103X   | MG RESISTOR    | 10kΩ 1/16W J  |       |
| △ R1477    | QRZ9006-4R7X   | FUSI RESISTOR  | 4.7Ω          |       |
| R1480      | NRSA63J-104X   | MG RESISTOR    | 100kΩ 1/16W J |       |
| R1481      | NRSA63J-104X   | MG RESISTOR    | 100kΩ 1/16W J |       |
| R1482      | NRSA63J-104X   | MG RESISTOR    | 100kΩ 1/16W J |       |
| R1483      | NRSA63J-562X   | MG RESISTOR    | 5.6kΩ 1/16W J |       |
| R1484      | NRSA63J-473X   | MG RESISTOR    | 47kΩ 1/16W J  |       |
| R1485      | NRSA63J-202X   | MG RESISTOR    | 2kΩ 1/16W J   |       |
| R1486      | NRSA63J-473X   | MG RESISTOR    | 47kΩ 1/16W J  |       |
| R1487      | NRSA63J-103X   | MG RESISTOR    | 10kΩ 1/16W J  |       |
| R1488      | NRSA63J-103X   | MG RESISTOR    | 10kΩ 1/16W J  |       |
| R1489      | NRSA63J-202X   | MG RESISTOR    | 2kΩ 1/16W J   |       |
| R1490      | NRSA63J-133X   | MG RESISTOR    | 13kΩ 1/16W J  |       |
| R1491      | NRSA63J-473X   | MG RESISTOR    | 47kΩ 1/16W J  |       |
| R1492      | NRSA63J-102X   | MG RESISTOR    | 1kΩ 1/16W J   |       |
| R1494      | NRSA63J-102X   | MG RESISTOR    | 1kΩ 1/16W J   |       |
| R1496      | NRSA63J-332X   | MG RESISTOR    | 3.3kΩ 1/16W J |       |
| R1498      | NRSA63J-511X   | MG RESISTOR    | 510Ω 1/16W J  |       |
| R1499      | NRSA63J-511X   | MG RESISTOR    | 510Ω 1/16W J  |       |
| R1500      | NRSA63J-474X   | MG RESISTOR    | 470kΩ 1/16W J |       |
| R1571      | NRSA63J-0R0X   | MG RESISTOR    | 0Ω 1/16W J    |       |
| R1572      | NRSA63J-0R0X   | MG RESISTOR    | 0Ω 1/16W J    |       |
| R1575      | NRSA63J-0R0X   | MG RESISTOR    | 0Ω 1/16W J    |       |
| R1576      | NRSA63J-0R0X   | MG RESISTOR    | 0Ω 1/16W J    |       |
| R1579      | NRSA63J-0R0X   | MG RESISTOR    | 0Ω 1/16W J    |       |
| R1580      | NRSA63J-0R0X   | MG RESISTOR    | 0Ω 1/16W J    |       |
| R1583      | NRSA63J-511X   | MG RESISTOR    | 510Ω 1/16W J  |       |
| R1584      | NRSA63J-511X   | MG RESISTOR    | 510Ω 1/16W J  |       |
| BK701      | LV42093-001A   | FL HOLDER(L)   |               |       |
| BK702      | LV42092-001A   | FL HOLDER(R)   |               |       |
| CN421      | QGB2510J1-15   | CONNECTOR      | B-B (1-15)    |       |
| CN431      | QGB2510J1-06   | CONNECTOR      | B-B (1-6)     |       |
| CN441      | QGB2510J1-06   | CONNECTOR      | B-B (1-6)     |       |
| CN471      | QGA2501C3-03Z  | CONNECTOR      | W-B (1-3)     |       |
| CN472      | QGA2501C1-02   | CONNECTOR      | W-B (1-2)     |       |
| CN473      | QGA2501C3-03Z  | CONNECTOR      | W-B (1-3)     |       |
| CN481      | QGB2510J1-14   | CONNECTOR      | B-B (1-14)    |       |
| CN482      | QGB2510J1-07   | CONNECTOR      | B-B (1-7)     |       |
| CN491      | QGB2510J1-04   | CONNECTOR      | B-B (1-4)     |       |
| CN704      | WJS0020-002A-E | SKT.WIRE ASSY  |               |       |
| CN714      | QGA2001F1-03   | CONNECTOR      | W-B (1-3)     |       |
| DI701      | QLF0132-001    | FL TUBE        |               |       |
| EP401      | QNZ0136-001Z   | IM EARTH PLATE |               |       |
| EP402      | QNZ0136-001Z   | IM EARTH PLATE |               |       |
| HS401      | E70306-001     | HEAT SINK      |               |       |
| HS402      | E70306-001     | HEAT SINK      |               |       |
| HS403      | E70306-001     | HEAT SINK      |               |       |
| HS404      | E70306-001     | HEAT SINK      |               |       |
| HS434      | E70306-001     | HEAT SINK      |               |       |
| HS435      | E70306-001     | HEAT SINK      |               |       |
| JS701      | QSW1017-002    | JOG VOLUME     |               |       |
| JS702      | QSW1051-001    | ROTARY ENCODER |               |       |
| S721       | QSW0683-001Z   | PUSH SW I.M    |               |       |
| S722       | QSW0683-001Z   | PUSH SW I.M    |               |       |
| S723       | QSW0683-001Z   | PUSH SW I.M    |               |       |
| S724       | QSW0683-001Z   | PUSH SW I.M    |               |       |
| S725       | QSW0683-001Z   | PUSH SW I.M    |               |       |
| S726       | QSW0683-001Z   | PUSH SW I.M    |               |       |
| S727       | QSW0683-001Z   | PUSH SW I.M    |               |       |
| S728       | QSW0683-001Z   | PUSH SW I.M    |               |       |
| S729       | QSW0683-001Z   | PUSH SW I.M    |               |       |
| S730       | QSW0683-001Z   | PUSH SW I.M    |               |       |
| S731       | QSW0683-001Z   | PUSH SW I.M    |               |       |
| S732       | QSW0683-001Z   | PUSH SW I.M    |               |       |
| S734       | QSW0683-001Z   | PUSH SW I.M    |               |       |
| S735       | QSW0683-001Z   | PUSH SW I.M    |               |       |
| S736       | QSW0683-001Z   | PUSH SW I.M    |               |       |
| S738       | QSW0683-001Z   | PUSH SW I.M    |               |       |
| S739       | QSW0683-001Z   | PUSH SW I.M    |               |       |

| Symbol No. | Part No.     | Part Name   | Description | Local |
|------------|--------------|-------------|-------------|-------|
| S740       | QSW0683-001Z | PUSH SW I.M |             |       |
| S741       | QSW0683-001Z | PUSH SW I.M |             |       |
| S742       | QSW0683-001Z | PUSH SW I.M |             |       |
| S743       | QSW0683-001Z | PUSH SW I.M |             |       |
| S745       | QSW0683-001Z | PUSH SW I.M |             |       |
| S746       | QSW0683-001Z | PUSH SW I.M |             |       |
| S750       | QSW0683-001Z | PUSH SW I.M |             |       |
| S751       | QSW0683-001Z | PUSH SW I.M |             |       |
| S752       | QSW0683-001Z | PUSH SW I.M |             |       |
| S757       | QSW0683-001Z | PUSH SW I.M |             |       |
| X701       | QAX0246-001Z | RESONATOR   |             |       |

## DSP board

Block No. [0][4]

| Symbol No. | Part No.        | Part Name       | Description  | Local |
|------------|-----------------|-----------------|--------------|-------|
| IC601      | NJM4565M-WE     | IC              |              |       |
| IC602      | NJM4565M-WE     | IC              |              |       |
| IC611      | NJM4565M-WE     | IC              |              |       |
| IC612      | NJM4565M-WE     | IC              |              |       |
| IC613      | NJM4565M-WE     | IC              |              |       |
| IC615      | NJM4565M-WE     | IC              |              |       |
| IC622      | NJM4565M-WE     | IC              |              |       |
| IC631      | NJM2120M-X      | IC              |              |       |
| IC632      | NJM4565M-WE     | IC              |              |       |
| IC633      | NJM4565M-WE     | IC              |              |       |
| IC634      | NJM4565M-WE     | IC              |              |       |
| IC661      | DSPC56371AF180  | IC              |              |       |
| IC662      | SN74LVC1GU04K-X | IC              |              |       |
| IC667      | CS42518-CQZ-C-W | IC              |              |       |
| IC671      | UPD784215AGC284 | IC              |              |       |
| IC672      | SN74AHCT1G32K-X | IC              |              |       |
| IC673      | SN74LVC1G04K-X  | IC              |              |       |
| IC691      | BA3259HFP-W     | IC              |              |       |
| Q2101      | 2SD2114K/VW/-X  | TRANSISTOR      |              |       |
| Q2102      | 2SD2114K/VW/-X  | TRANSISTOR      |              |       |
| Q2141      | 2SC3928A/RS/-X  | TRANSISTOR      |              |       |
| Q2142      | 2SC3928A/RS/-X  | TRANSISTOR      |              |       |
| Q2201      | 2SD2114K/VW/-X  | TRANSISTOR      |              |       |
| Q2202      | 2SD2114K/VW/-X  | TRANSISTOR      |              |       |
| Q2221      | 2SD2114K/VW/-X  | TRANSISTOR      |              |       |
| Q2222      | 2SD2114K/VW/-X  | TRANSISTOR      |              |       |
| Q2301      | 2SD2114K/VW/-X  | TRANSISTOR      |              |       |
| Q2341      | 2SC3928A/RS/-X  | TRANSISTOR      |              |       |
| Q2401      | 2SD2114K/VW/-X  | TRANSISTOR      |              |       |
| Q2421      | 2SD2114K/VW/-X  | TRANSISTOR      |              |       |
| Q2701      | KRC107S-X       | DIGI TRANSISTOR |              |       |
| Q2702      | KRC107S-X       | DIGI TRANSISTOR |              |       |
| Q2703      | KRC107S-X       | DIGI TRANSISTOR |              |       |
| Q2704      | KRA107S-X       | TRANSISTOR      |              |       |
| Q2705      | KRA107S-X       | TRANSISTOR      |              |       |
| Q2706      | KRA107S-X       | TRANSISTOR      |              |       |
| Q2708      | KRA107S-X       | TRANSISTOR      |              |       |
| Q2709      | KRA107S-X       | TRANSISTOR      |              |       |
| Q2710      | KRC107S-X       | DIGI TRANSISTOR |              |       |
| C2001      | QEK1HM-475Z     | E CAPACITOR     | 4.7uF 50V M  |       |
| C2002      | QEK1HM-475Z     | E CAPACITOR     | 4.7uF 50V M  |       |
| C2005      | NDC31HJ-330X    | C CAPACITOR     | 33pF 50V J   |       |
| C2006      | NDC31HJ-330X    | C CAPACITOR     | 33pF 50V J   |       |
| C2009      | NCF31CZ-104X    | C CAPACITOR     | 0.1uF 16V Z  |       |
| C2010      | NCF31CZ-104X    | C CAPACITOR     | 0.1uF 16V Z  |       |
| C2013      | NDC31HJ-330X    | C CAPACITOR     | 33pF 50V J   |       |
| C2014      | NDC31HJ-330X    | C CAPACITOR     | 33pF 50V J   |       |
| C2018      | QETN1EM-476Z    | E CAPACITOR     | 47uF 25V M   |       |
| C2019      | NCF31CZ-104X    | C CAPACITOR     | 0.1uF 16V Z  |       |
| C2020      | NCF31CZ-104X    | C CAPACITOR     | 0.1uF 16V Z  |       |
| C2101      | NCB31HK-102X    | C CAPACITOR     | 1000pF 50V K |       |
| C2102      | NCB31HK-102X    | C CAPACITOR     | 1000pF 50V K |       |
| C2109      | QETN1HM-226Z    | E CAPACITOR     | 22uF 50V M   |       |
| C2110      | QETN1HM-226Z    | E CAPACITOR     | 22uF 50V M   |       |
| C2111      | NCF31CZ-104X    | C CAPACITOR     | 0.1uF 16V Z  |       |

| △ Symbol No. | Part No.     | Part Name   | Description   | Local | △ Symbol No. | Part No.     | Part Name   | Description   | Local |
|--------------|--------------|-------------|---------------|-------|--------------|--------------|-------------|---------------|-------|
| C2112        | NCF31CZ-104X | C CAPACITOR | 0.1uF 16V Z   |       | C2641        | NDC31HJ-100X | C CAPACITOR | 10pF 50V J    |       |
| C2113        | NCB31HK-331X | C CAPACITOR | 330pF 50V K   |       | C2642        | NDC31HJ-100X | C CAPACITOR | 10pF 50V J    |       |
| C2114        | NCB31HK-331X | C CAPACITOR | 330pF 50V K   |       | C2643        | NCF31CZ-104X | C CAPACITOR | 0.1uF 16V Z   |       |
| C2115        | NCB31HK-272X | C CAPACITOR | 2700pF 50V K  |       | C2671        | QEKC1EM-106Z | E CAPACITOR | 10uF 25V M    |       |
| C2116        | NCB31HK-272X | C CAPACITOR | 2700pF 50V K  |       | C2672        | QEKC1EM-106Z | E CAPACITOR | 10uF 25V M    |       |
| C2129        | QEKC1HM-475Z | E CAPACITOR | 4.7uF 50V M   |       | C2673        | QEKC1EM-106Z | E CAPACITOR | 10uF 25V M    |       |
| C2131        | NCF31CZ-104X | C CAPACITOR | 0.1uF 16V Z   |       | C2674        | NCF31CZ-104X | C CAPACITOR | 0.1uF 16V Z   |       |
| C2132        | NCF31CZ-104X | C CAPACITOR | 0.1uF 16V Z   |       | C2675        | NCF31CZ-104X | C CAPACITOR | 0.1uF 16V Z   |       |
| C2133        | NDC31HJ-330X | C CAPACITOR | 33pF 50V J    |       | C2676        | NCB31HK-221X | C CAPACITOR | 220pF 50V K   |       |
| C2134        | NDC31HJ-330X | C CAPACITOR | 33pF 50V J    |       | C2677        | NCB31HK-221X | C CAPACITOR | 220pF 50V K   |       |
| C2139        | QEKC1HM-475Z | E CAPACITOR | 4.7uF 50V M   |       | C2678        | QEKC1HM-475Z | E CAPACITOR | 4.7uF 50V M   |       |
| C2140        | QEKC1HM-475Z | E CAPACITOR | 4.7uF 50V M   |       | C2679        | NCF31CZ-104X | C CAPACITOR | 0.1uF 16V Z   |       |
| C2141        | NCF31CZ-104X | C CAPACITOR | 0.1uF 16V Z   |       | C2680        | QETN1CM-107Z | E CAPACITOR | 100uF 16V M   |       |
| C2142        | NCF31CZ-104X | C CAPACITOR | 0.1uF 16V Z   |       | C2681        | NCF31CZ-104X | C CAPACITOR | 0.1uF 16V Z   |       |
| C2143        | NDC31HJ-330X | C CAPACITOR | 33pF 50V J    |       | C2682        | NCF31CZ-104X | C CAPACITOR | 0.1uF 16V Z   |       |
| C2144        | NDC31HJ-330X | C CAPACITOR | 33pF 50V J    |       | C2683        | NCB31CK-223X | C CAPACITOR | 0.022uF 16V K |       |
| C2181        | NCF31CZ-104X | C CAPACITOR | 0.1uF 16V Z   |       | C2684        | NCB31HK-102X | C CAPACITOR | 1000pF 50V K  |       |
| C2182        | NCF31CZ-104X | C CAPACITOR | 0.1uF 16V Z   |       | C2685        | NCF31CZ-104X | C CAPACITOR | 0.1uF 16V Z   |       |
| C2183        | NCB31HK-102X | C CAPACITOR | 1000pF 50V K  |       | C2686        | NCF31CZ-104X | C CAPACITOR | 0.1uF 16V Z   |       |
| C2184        | NCB31HK-102X | C CAPACITOR | 1000pF 50V K  |       | C2687        | NCF31CZ-104X | C CAPACITOR | 0.1uF 16V Z   |       |
| C2185        | NCB31HK-102X | C CAPACITOR | 1000pF 50V K  |       | C2688        | NCB31HK-103X | C CAPACITOR | 0.01uF 50V K  |       |
| C2186        | NCB31HK-102X | C CAPACITOR | 1000pF 50V K  |       | C2689        | NCB31HK-103X | C CAPACITOR | 0.01uF 50V K  |       |
| C2187        | NCB31HK-562X | C CAPACITOR | 5600pF 50V K  |       | C2690        | NCB31HK-103X | C CAPACITOR | 0.01uF 50V K  |       |
| C2188        | NCB31HK-562X | C CAPACITOR | 5600pF 50V K  |       | C2691        | NCB31HK-103X | C CAPACITOR | 0.01uF 50V K  |       |
| C2201        | NCB31HK-561X | C CAPACITOR | 560pF 50V K   |       | C2692        | NCB31HK-103X | C CAPACITOR | 0.01uF 50V K  |       |
| C2202        | NCB31HK-561X | C CAPACITOR | 560pF 50V K   |       | C2693        | NCF31CZ-104X | C CAPACITOR | 0.1uF 16V Z   |       |
| C2209        | QEKC1HM-225Z | E CAPACITOR | 2.2uF 50V M   |       | C2701        | QETN1CM-107Z | E CAPACITOR | 100uF 16V M   |       |
| C2210        | QEKC1HM-225Z | E CAPACITOR | 2.2uF 50V M   |       | C2702        | NCB31HK-103X | C CAPACITOR | 0.01uF 50V K  |       |
| C2229        | QEKC1HM-105Z | E CAPACITOR | 1uF 50V M     |       | C2703        | NDC31HJ-101X | C CAPACITOR | 100pF 50V J   |       |
| C2230        | QEKC1HM-105Z | E CAPACITOR | 1uF 50V M     |       | C2721        | NDC31HJ-101X | C CAPACITOR | 100pF 50V J   |       |
| C2281        | NCF31CZ-104X | C CAPACITOR | 0.1uF 16V Z   |       | C2731        | NCF31CZ-104X | C CAPACITOR | 0.1uF 16V Z   |       |
| C2282        | NCF31CZ-104X | C CAPACITOR | 0.1uF 16V Z   |       | C2751        | NCF31CZ-104X | C CAPACITOR | 0.1uF 16V Z   |       |
| C2283        | NCB31HK-331X | C CAPACITOR | 330pF 50V K   |       | C2771        | QETN1EM-476Z | E CAPACITOR | 47uF 25V M    |       |
| C2284        | NCB31HK-331X | C CAPACITOR | 330pF 50V K   |       | C2861        | NDC31HJ-101X | C CAPACITOR | 100pF 50V J   |       |
| C2285        | NCB31HK-331X | C CAPACITOR | 330pF 50V K   |       | C2862        | NCF31CZ-104X | C CAPACITOR | 0.1uF 16V Z   |       |
| C2286        | NCB31HK-331X | C CAPACITOR | 330pF 50V K   |       | C2871        | NDC31HJ-270X | C CAPACITOR | 27pF 50V J    |       |
| C2287        | NCB31HK-392X | C CAPACITOR | 3900pF 50V K  |       | C2873        | NCB31HK-103X | C CAPACITOR | 0.01uF 50V K  |       |
| C2288        | NCB31HK-392X | C CAPACITOR | 3900pF 50V K  |       | C2881        | NCB31HK-103X | C CAPACITOR | 0.01uF 50V K  |       |
| C2301        | NCB31HK-561X | C CAPACITOR | 560pF 50V K   |       | C2882        | NCB31HK-103X | C CAPACITOR | 0.01uF 50V K  |       |
| C2309        | QETN1HM-226Z | E CAPACITOR | 22uF 50V M    |       | C2891        | QEKC1EM-106Z | E CAPACITOR | 10uF 25V M    |       |
| C2323        | NCB31HK-562X | C CAPACITOR | 5600pF 50V K  |       | C2902        | QEKC1EM-106Z | E CAPACITOR | 10uF 25V M    |       |
| C2325        | NCB31HK-182X | C CAPACITOR | 1800pF 50V K  |       | C2903        | QETN1EM-476Z | E CAPACITOR | 47uF 25V M    |       |
| C2341        | NCF31CZ-104X | C CAPACITOR | 0.1uF 16V Z   |       | C2911        | QETN1AM-227Z | E CAPACITOR | 220uF 10V M   |       |
| C2342        | NCF31CZ-104X | C CAPACITOR | 0.1uF 16V Z   |       | C2912        | NCF31CZ-104X | C CAPACITOR | 0.1uF 16V Z   |       |
| C2343        | NDC31HJ-330X | C CAPACITOR | 33pF 50V J    |       | C2921        | QETN1CM-107Z | E CAPACITOR | 100uF 16V M   |       |
| C2381        | NCF31CZ-104X | C CAPACITOR | 0.1uF 16V Z   |       | C2922        | NCF31CZ-104X | C CAPACITOR | 0.1uF 16V Z   |       |
| C2382        | NCF31CZ-104X | C CAPACITOR | 0.1uF 16V Z   |       | C2923        | QETN1CM-107Z | E CAPACITOR | 100uF 16V M   |       |
| C2383        | NCB31HK-471X | C CAPACITOR | 470pF 50V K   |       | C2924        | NCF31CZ-104X | C CAPACITOR | 0.1uF 16V Z   |       |
| C2385        | NCB31HK-471X | C CAPACITOR | 470pF 50V K   |       | C2925        | NCF31CZ-104X | C CAPACITOR | 0.1uF 16V Z   |       |
| C2387        | NCB31HK-332X | C CAPACITOR | 3300pF 50V K  |       | C2926        | NCF31CZ-104X | C CAPACITOR | 0.1uF 16V Z   |       |
| C2401        | NCB31HK-561X | C CAPACITOR | 560pF 50V K   |       | C2951        | NCF31AZ-105X | C CAPACITOR | 1uF 10V Z     |       |
| C2409        | QETN1HM-226Z | E CAPACITOR | 22uF 50V M    |       | C2952        | NCF31AZ-105X | C CAPACITOR | 1uF 10V Z     |       |
| C2411        | NCF31CZ-104X | C CAPACITOR | 0.1uF 16V Z   |       | C2953        | NCF31AZ-105X | C CAPACITOR | 1uF 10V Z     |       |
| C2412        | NCF31CZ-104X | C CAPACITOR | 0.1uF 16V Z   |       | C2954        | NCF31AZ-105X | C CAPACITOR | 1uF 10V Z     |       |
| C2421        | NCF31CZ-104X | C CAPACITOR | 0.1uF 16V Z   |       | C2955        | NCF31AZ-105X | C CAPACITOR | 1uF 10V Z     |       |
| C2422        | NCF31CZ-104X | C CAPACITOR | 0.1uF 16V Z   |       | C2956        | NCF31CZ-104X | C CAPACITOR | 0.1uF 16V Z   |       |
| C2423        | NCB31CK-823X | C CAPACITOR | 0.082uF 16V K |       | C2957        | NCF31CZ-104X | C CAPACITOR | 0.1uF 16V Z   |       |
| C2425        | QFN31HJ-333Z | M CAPACITOR | 0.033uF 50V J |       | R2001        | NRSA63J-104X | MG RESISTOR | 100kΩ 1/16W J |       |
| C2429        | QEKC1HM-475Z | E CAPACITOR | 4.7uF 50V M   |       | R2002        | NRSA63J-104X | MG RESISTOR | 100kΩ 1/16W J |       |
| C2433        | NCB31CK-823X | C CAPACITOR | 0.082uF 16V K |       | R2003        | NRSA63J-223X | MG RESISTOR | 22kΩ 1/16W J  |       |
| C2435        | QFN31HJ-333Z | M CAPACITOR | 0.033uF 50V J |       | R2004        | NRSA63J-223X | MG RESISTOR | 22kΩ 1/16W J  |       |
| C2483        | NCB31HK-471X | C CAPACITOR | 470pF 50V K   |       | R2007        | NRSA63J-223X | MG RESISTOR | 22kΩ 1/16W J  |       |
| C2485        | NCB31HK-471X | C CAPACITOR | 470pF 50V K   |       | R2008        | NRSA63J-223X | MG RESISTOR | 22kΩ 1/16W J  |       |
| C2487        | NCB31HK-332X | C CAPACITOR | 3300pF 50V K  |       | R2011        | NRSA63J-223X | MG RESISTOR | 22kΩ 1/16W J  |       |
| C2601        | QETN1CM-107Z | E CAPACITOR | 100uF 16V M   |       | R2012        | NRSA63J-223X | MG RESISTOR | 22kΩ 1/16W J  |       |
| C2606        | NCF31CZ-104X | C CAPACITOR | 0.1uF 16V Z   |       | R2013        | NRSA63J-223X | MG RESISTOR | 22kΩ 1/16W J  |       |
| C2607        | NCF31CZ-104X | C CAPACITOR | 0.1uF 16V Z   |       | R2014        | NRSA63J-223X | MG RESISTOR | 22kΩ 1/16W J  |       |
| C2608        | NCF31CZ-104X | C CAPACITOR | 0.1uF 16V Z   |       | R2017        | NRSA63J-472X | MG RESISTOR | 4.7kΩ 1/16W J |       |
| C2611        | NCF31CZ-104X | C CAPACITOR | 0.1uF 16V Z   |       | R2018        | NRSA63J-472X | MG RESISTOR | 4.7kΩ 1/16W J |       |
| C2612        | NCF31CZ-104X | C CAPACITOR | 0.1uF 16V Z   |       | R2021        | NRSA63J-331X | MG RESISTOR | 330Ω 1/16W J  |       |
| C2613        | NCF31CZ-104X | C CAPACITOR | 0.1uF 16V Z   |       | R2022        | NRSA63J-331X | MG RESISTOR | 330Ω 1/16W J  |       |
| C2614        | NCB31HK-102X | C CAPACITOR | 1000pF 50V K  |       | R2023        | NRSA63J-331X | MG RESISTOR | 330Ω 1/16W J  |       |
| C2621        | NCF31CZ-104X | C CAPACITOR | 0.1uF 16V Z   |       | R2024        | NRSA63J-331X | MG RESISTOR | 330Ω 1/16W J  |       |
| C2622        | NCF31CZ-104X | C CAPACITOR | 0.1uF 16V Z   |       | R2101        | NRSA63J-103X | MG RESISTOR | 10kΩ 1/16W J  |       |
| C2623        | NCF31CZ-104X | C CAPACITOR | 0.1uF 16V Z   |       | R2102        | NRSA63J-103X | MG RESISTOR | 10kΩ 1/16W J  |       |
| C2631        | NCF31CZ-104X | C CAPACITOR | 0.1uF 16V Z   |       | R2103        | NRSA63J-102X | MG RESISTOR | 1kΩ 1/16W J   |       |
| C2632        | NCF31CZ-104X | C CAPACITOR | 0.1uF 16V Z   |       | R2104        | NRSA63J-102X | MG RESISTOR | 1kΩ 1/16W J   |       |
| C2633        | NCF31CZ-104X | C CAPACITOR | 0.1uF 16V Z   |       |              |              |             |               |       |



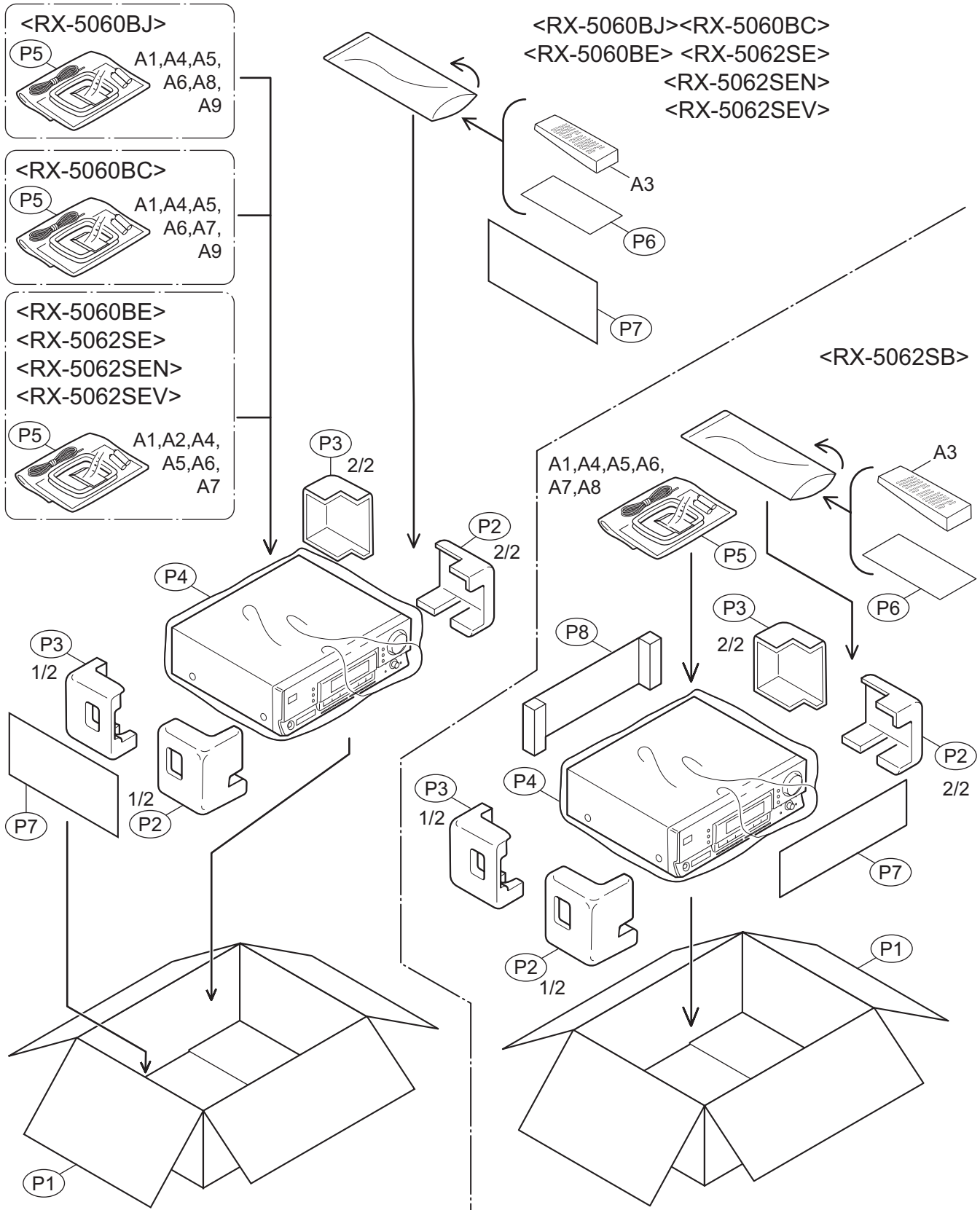


| △ Symbol No. | Part No.      | Part Name      | Description   | Local |
|--------------|---------------|----------------|---------------|-------|
| R2726        | NRSA63J-822X  | MG RESISTOR    | 8.2kΩ 1/16W J |       |
| R2727        | NRSA63J-432X  | MG RESISTOR    | 4.3kΩ 1/16W J |       |
| R2728        | NRSA63J-221X  | MG RESISTOR    | 220Ω 1/16W J  |       |
| R2731        | NRSA63J-221X  | MG RESISTOR    | 220Ω 1/16W J  |       |
| R2732        | NRSA63J-221X  | MG RESISTOR    | 220Ω 1/16W J  |       |
| R2733        | NRSA63J-221X  | MG RESISTOR    | 220Ω 1/16W J  |       |
| R2734        | NRSA63J-221X  | MG RESISTOR    | 220Ω 1/16W J  |       |
| R2735        | NRSA63J-221X  | MG RESISTOR    | 220Ω 1/16W J  |       |
| R2736        | NRSA63J-221X  | MG RESISTOR    | 220Ω 1/16W J  |       |
| R2738        | NRSA63J-221X  | MG RESISTOR    | 220Ω 1/16W J  |       |
| R2739        | NRSA63J-221X  | MG RESISTOR    | 220Ω 1/16W J  |       |
| R2743        | NRSA63J-221X  | MG RESISTOR    | 220Ω 1/16W J  |       |
| R2744        | NRSA63J-221X  | MG RESISTOR    | 220Ω 1/16W J  |       |
| R2745        | NRSA63J-221X  | MG RESISTOR    | 220Ω 1/16W J  |       |
| R2751        | NRSA63J-102X  | MG RESISTOR    | 1kΩ 1/16W J   |       |
| R2752        | NRSA63J-103X  | MG RESISTOR    | 10kΩ 1/16W J  |       |
| R2761        | NRSA63J-105X  | MG RESISTOR    | 1MΩ 1/16W J   |       |
| R2762        | NRSA63J-105X  | MG RESISTOR    | 1MΩ 1/16W J   |       |
| R2763        | NRSA63J-105X  | MG RESISTOR    | 1MΩ 1/16W J   |       |
| R2771        | NRSA63J-102X  | MG RESISTOR    | 1kΩ 1/16W J   |       |
| R2772        | NRSA63J-105X  | MG RESISTOR    | 1MΩ 1/16W J   |       |
| R2773        | NRSA63J-105X  | MG RESISTOR    | 1MΩ 1/16W J   |       |
| R2861        | NRSA63J-221X  | MG RESISTOR    | 220Ω 1/16W J  |       |
| R2862        | NRSA63J-392X  | MG RESISTOR    | 3.9kΩ 1/16W J |       |
| R2871        | NRSA63J-750X  | MG RESISTOR    | 75Ω 1/16W J   |       |
| R2872        | NRSA63J-102X  | MG RESISTOR    | 1kΩ 1/16W J   |       |
| R2921        | NRSA63J-182X  | MG RESISTOR    | 1.8kΩ 1/16W J |       |
| R2922        | NRSA63J-112X  | MG RESISTOR    | 1.1kΩ 1/16W J |       |
| CN681        | QGB2510K1-07  | CONNECTOR      | B-B (1-7)     |       |
| CN683        | QGB2510K1-14  | CONNECTOR      | B-B (1-14)    |       |
| EP681        | E409182-001SM | GRAND TERMINAL |               |       |
| J681         | QNN0481-001   | PIN JACK       |               |       |
| K2861        | NQR0269-004X  | FERRITE BEADS  |               |       |
| UN682        | GP1FAV50RK0F  | OPT RECEIVER   |               |       |
| X661         | QAX0722-001Z  | CRYSTAL        |               |       |
| X671         | QAX0719-001Z  | 1COSCIALLATOR  |               |       |

# Packing materials and accessories parts list

Block No. M 3 M M

No additional / supplemental order of WARRANTY CARDS are available



# Packing and Accessories

Block No. [M][3][M][M]

| △ Symbol No. | Part No.     | Part Name     | Description     | Local   |
|--------------|--------------|---------------|-----------------|---|
| A 1          | LVT1507-001A | INST BOOK     | ENG             | 5060BJ  |
| A 1          | LVT1507-002A | INST BOOK     | ENG FRE         | 5060BC  |
| A 1          | LVT1507-004A | INST BOOK     | GER FRE         | 5060BE,5062SE                                   |
| A 1          | LVT1507-003A | INST BOOK     | ENG             | 5062SB  |
| A 1          | LVT1507-006A | INST BOOK     | SPA POL         | 5062SEN   |
| A 1          | LVT1507-008A | INST BOOK     | CZE POL HUN RUS | 5062SEV   |
| A 2          | LVT1507-005A | INST BOOK     | ITA DUT         | 5060BE,5062SE                                   |
| A 2          | LVT1507-007A | INST BOOK     | DAN FIN SWE     | 5062SEN   |
| A 2          | LVT1507-009A | INST BOOK     | CZE POL HUN RUS | 5062SEV   |
| A 3          | RM-SRX5060J  | REMOCON       |                 | 5060BJ,5060BC                                   |
| A 3          | RM-SRX5060R  | REMOCON       |                 | 5060BE  |
| A 3          | RM-SRX5062R  | REMOCON       |                 | 5062SE,5062SB,5062SEN,5062SEV                   |
| A 4          | R6UW/2STS    | BATTERY       | (x2)            |   |
| A 5          | QAL0595-001  | ANTENNA       |                 |   |
| A 6          | QAL0014-003  | AM LOOP ANT   |                 |   |
| A 7          | -----        | WARRANTY CARD | BT-52006-2      | 5060BC  |
| A 7          | -----        | WARRANTY CARD | BT-54027-1      | 5060BE,5062SE,5062SB,5062SEN,<br>5062SEV        |
| A 8          | BT-51034-2   | REGIST CARD   |                 | 5060BJ  |
| A 8          | VNA3000-204  | REGIST CARD   |                 | 5062SB  |
| A 9          | YU20333      | SAFETY INST.  |                 | 5060BJ,5060BC                                   |
| P 1          | LV21650-024A | CARTON BOX    |                 | 5060BJ,5060BC                                   |
| P 1          | LV21650-025A | CARTON BOX    |                 | 5060BE  |
| P 1          | LV21650-027A | CARTON BOX    |                 | 5062SE,5062SEN,5062SEV                          |
| P 1          | LV21650-028A | CARTON BOX    |                 | 5062SB  |
| P 2          | LV21634-003A | CUSHION       |                 |   |
| P 3          | LV21635-002A | CUSHION       |                 |   |
| P 4          | QPC06507015P | POLY BAG      | 65cm x 70cm     |   |
| P 5          | QPA02503505P | POLY BAG      | 25cm x 35cm     |   |
| P 6          | LV30256-014A | SHEET         |                 |   |
| P 7          | LV32034-009A | SHEET         | (x2)            | 5060BJ,5060BC,5060BE,5062SE,<br>5062SEN,5062SEV |
| P 7          | LV32034-008A | SHEET         |                 | 5062SB  |
| P 8          | LV34107-005A | PACKING SHEET |                 | 5062SB  |